



COBRA 290 / 290R IMPACT CRUSHER

COMPACT | EASY TO OPERATE | OPTIMAL MATERIAL FLOW

OVERVIEW - COBRA 290

The Cobra 290 Impact Crusher is a machine that provides class leading productivity, unmatched versatility and excellent fuel efficiency. The quick set up times, simple intuitive operation and ease of transport makes this machine an ideal solution for all applications

1

HOPPER

- 3.3 m³ (4.3 cubic yards) hopper capacity
- Integrated pre-screen for fines removal
- Feeder speed auto regulates based on crusher load

4

ENGINE OPTIONS

- Volvo 235kW T3 1500/1800 rpm variable
- Volvo 235kW T4 Final 1500/1800 rpm variable

2

IMPACT CHAMBER

- 1030mm (41") x 790mm (31") crusher inlet
- 1000mm (40") x 1034mm (41.5")
- Max OSS - 150mm (6") upper, 75mm (3") lower
- Min CSS - 50mm (2") upper, 18mm (3/4") lower
- 2 high / 2 low configuration as standard
- Hydraulic adjust and hydraulic overload as standard

5

CONTROL SYSTEM

- Simple intuitive push button operation

3

CONVEYORS

- 1000mm (40") Wide product conveyor
- Product Conveyor discharge height 3.42m (11'3")
- 500mm (20") wide side conveyor (option)
- Side Conveyor (option) discharge height 2.35m (7'6")

6

BY-PASS CONVEYOR OPTION

- 500mm (20") wide
- 2.4m (7'-10") discharge height



CRUSHER DRIVE:

Extremely efficient diesel direct drive for optimal fuel efficiency and performance

UP TO
290
TONNES PER HOUR
(320 US TPH)

OVERVIEW - COBRA 290R

The Cobra 290R is a versatile and easy to use Impact crusher that can operate in the most demanding of applications such as Reinforced Concrete, Recycled Asphalt, Construction and Demolition waste and Natural Rock. The integrated Afterscreen system on the Cobra 290R ensures the required product specification is achieved with oversize material either being recirculated back to the Crusher or else stockpiled.

1

AFTERSCREEN

- 2.74m x 1.5m (9' x 5') single deck screen
- Side tensioned mesh

2

OVERSIZE CONVEYOR

- 500mm (20") wide belt
- Variable speed
- Conveyor can be hydraulically rotated between recirculation mode and stockpile mode
- 3.1m (10' 4") discharge height in stockpile mode

3

FINES CONVEYOR

- 1200mm (47") wide belt
- 3m (9' 10") discharge height

4

GENERAL

- Screen can be lowered to horizontal to ease mesh change and maintenance
- Ability to quickly detach the complete Afterscreen system to convert machine to a straight through model or be able to transport it separately



EASE OF USE



**QUICK
SETUP
TIME**



**INTUITIVE
CONTROL
SYSTEM**



**2 BUTTON
START
UP**



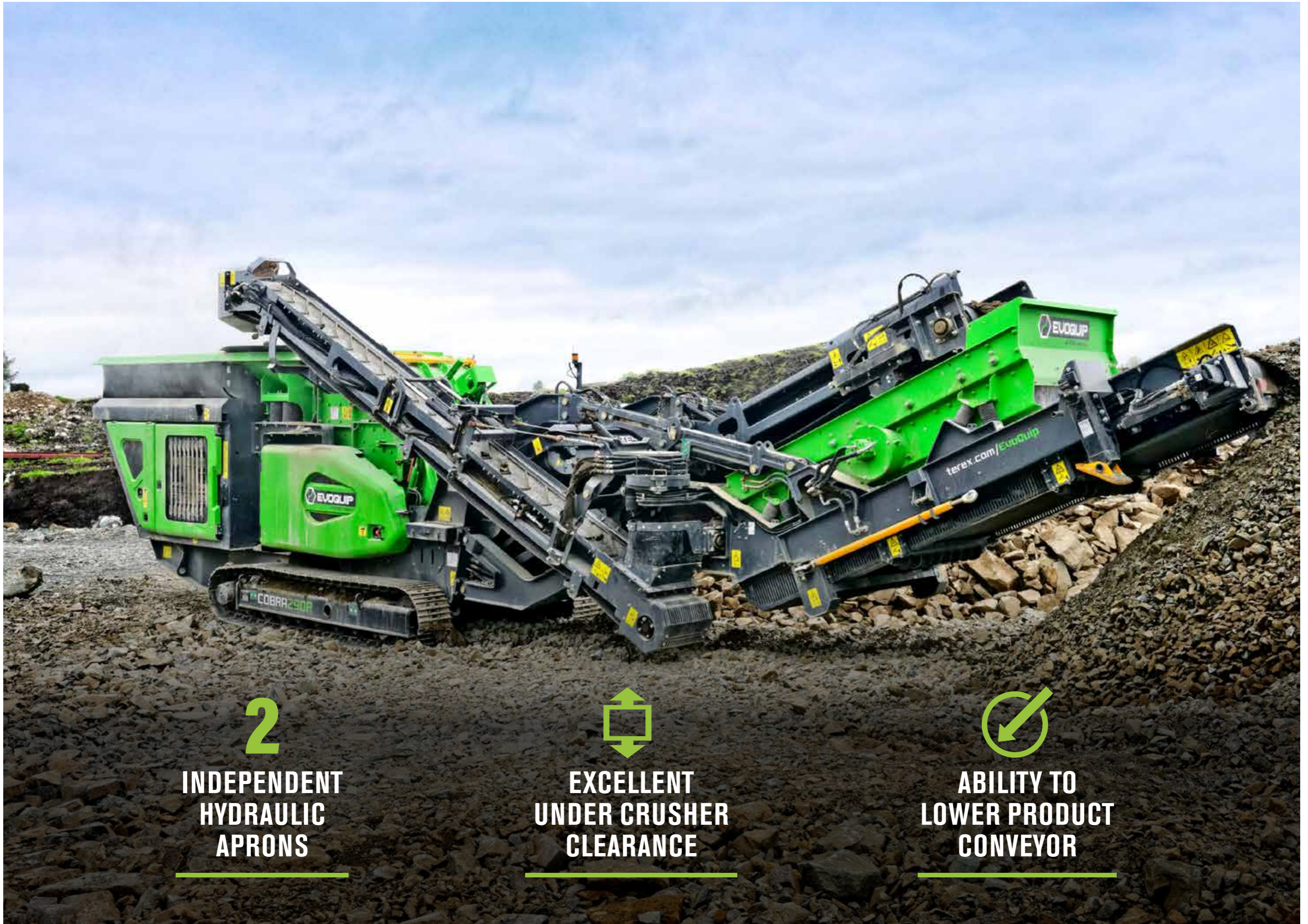
**EASE OF
SETTING
ADJUSTMENT**



**MOVE MACHINE
WITHOUT
STOPPING CRUSHER**



OPTIMAL MATERIAL FLOW



2

**INDEPENDENT
HYDRAULIC
APRONS**



**EXCELLENT
UNDER CRUSHER
CLEARANCE**



**ABILITY TO
LOWER PRODUCT
CONVEYOR**

COMPACT WITH IMPACT



ENGINE POWER

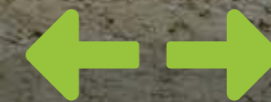
Tier 3 - 235kW / 315Hp
Tier 4 - 235kW / 315Hp



IDEAL FOR URBAN USE



LOW FEED IN HEIGHT



FEED SIZE
450mm³ (18in³)/750mm
(30") diagonally
800mm x 500mm x 250mm
(32" x 20" x 10") slab



EASY TO TRANSPORT



SERVICEABILITY



PRODUCT CONVEYOR
can be removed for maintenance

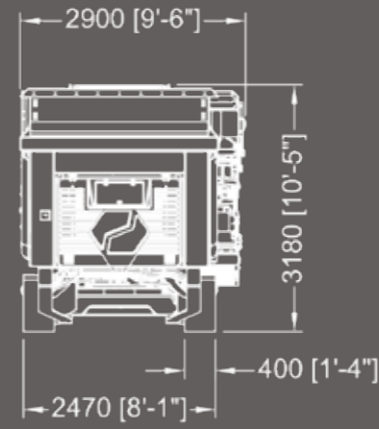
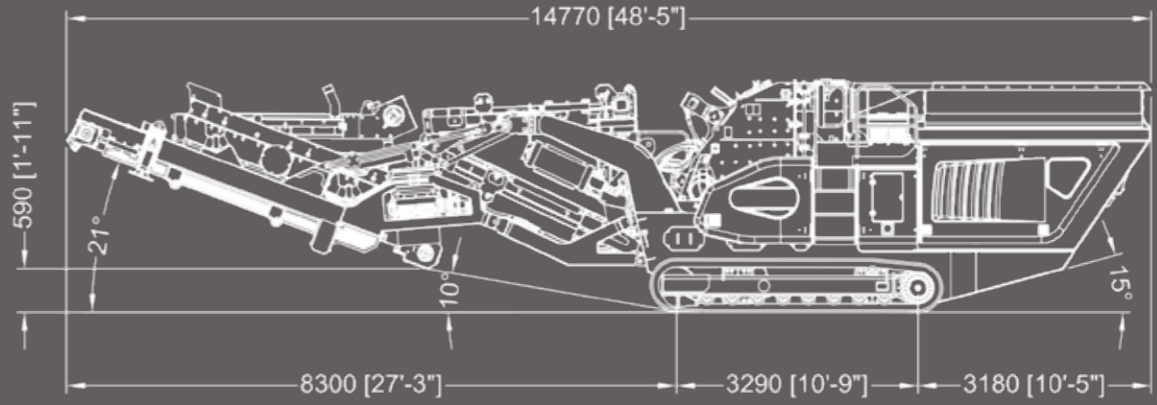
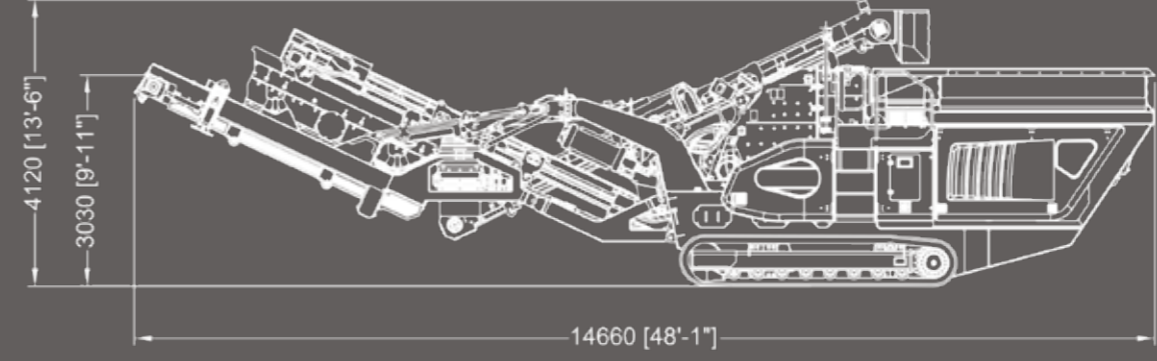
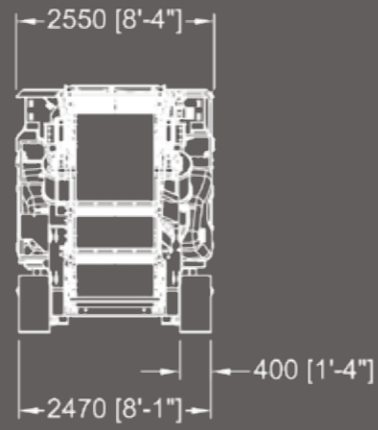
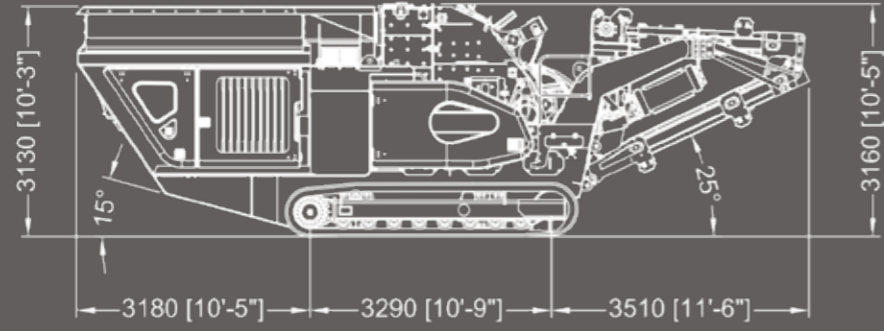
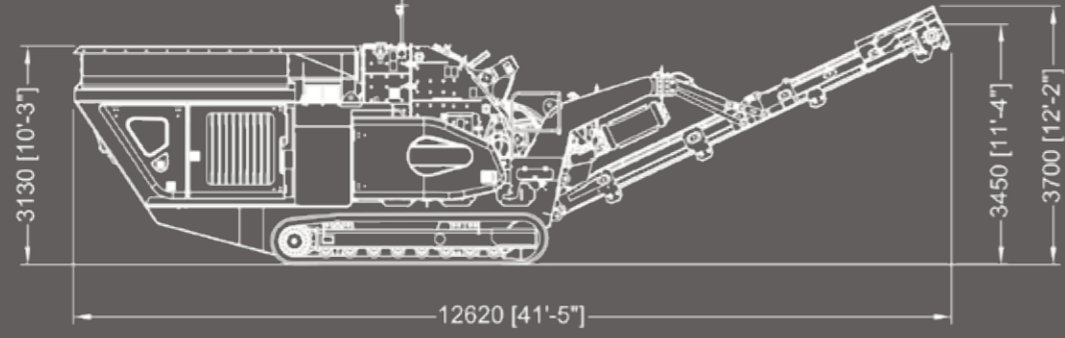


EXCELLENT
ground level access to all service points



HINGED RADIATOR PACK
to improve serviceability and aid maintenance

DIMENSIONS - COBRA 290



DIMENSIONS - COBRA 290R

200 Coalisland Road,
Dungannon, Co. Tyrone, BT714DR
Tel: +442887718500
Email: evoquip@terex.com



terex.com/EvoQuip

The material in this document is for information only and is subject to change without notice.

Terex assumes no liability resulting from errors or omissions in this document, or from the use of the information contained herein.

Due to continual product development we reserve the right to change specifications without notice.

Photographs are for illustrative purposes only, some or all of the machines in the illustrations may be fitted with optional extras.

Copyright 2018 Terex GB Limited.

Published and Printed in May 2018.