



# COBRA 230 / 230R

**IMPACT CRUSHER**

COMPACT | EASY TO OPERATE | OPTIMAL MATERIAL FLOW



# OVERVIEW - COBRA 230

The Cobra 230 Impact Crusher is a machine that provides class leading productivity, unmatched versatility and excellent fuel efficiency. The quick set up times, simple intuitive operation and ease of transport makes this machine an ideal solution for all applications

## 1 HOPPER

- 2.6 m<sup>3</sup> (3.4 cubic yards) hopper capacity
- Integrated pre-screen for fines removal
- Feeder speed auto regulates based on crusher load

## 4 ENGINE OPTIONS

- Stage III3A Constant speed: John Deere 6068 194kW (260hp)
- Tier 4 Final: Volvo D8 210kW (281hp)
- Stage V: Volvo D8 210kW (281hp)

## 2 IMPACT CHAMBER

- Crusher inlet opening: 860mm x 720mm (34" x 28.5")
- 830mm wide (33") x 860mm diameter (34") rotor
- Two independent aprons
- Hydraulic overload protection as standard
- Ease of setting adjustment

## 5 CONTROL SYSTEM

- Simple intuitive push button operation

## 3 PRODUCT CONVEYOR

- 900mm (36") wide belt
- 3.0m (9'-10") discharge height
- Removable for maintenance

## 6 BY-PASS CONVEYOR OPTION

- 500mm (20") wide
- 2.48m (8' 2") discharge height



### CRUSHER DRIVE:

Extremely efficient diesel direct drive for optimal fuel efficiency and performance



UP TO  
**250**  
TONNES PER HOUR  
(275 US TPH)



# OVERVIEW - COBRA 230R

The Cobra 230R is a versatile and easy to use Impact crusher that can operate in the most demanding of applications such as Reinforced Concrete, Recycled Asphalt, Construction and Demolition waste and Natural Rock. The integrated Afterscreen system on the Cobra 230R ensures the required product specification is achieved with oversize material either being recirculated back to the Crusher or else stockpiled.

**1****AFTERSCREEN**

- 2.44m x 1.2m (8' x 4') single deck screen
- Side tensioned mesh
- Ability to change stroke to suit application

**2****OVERSIZE CONVEYOR**

- 500mm (20") wide belt
- Variable speed
- Conveyor can be hydraulically rotated between recirculation mode and stockpile mode
- 3.1m (10' 4") discharge height in stockpile mode

**3****FINES CONVEYOR**

- 1000mm (40") wide belt
- 2.5m (8' 2") discharge height

**4****GENERAL**

- Screen can be lowered to horizontal to ease mesh change and maintenance
- Ability to quickly detach the complete Afterscreen system to convert machine to a straight through model or be able to transport it separately



# EASE OF USE



**QUICK  
SETUP  
TIME**



**INTUITIVE  
CONTROL  
SYSTEM**



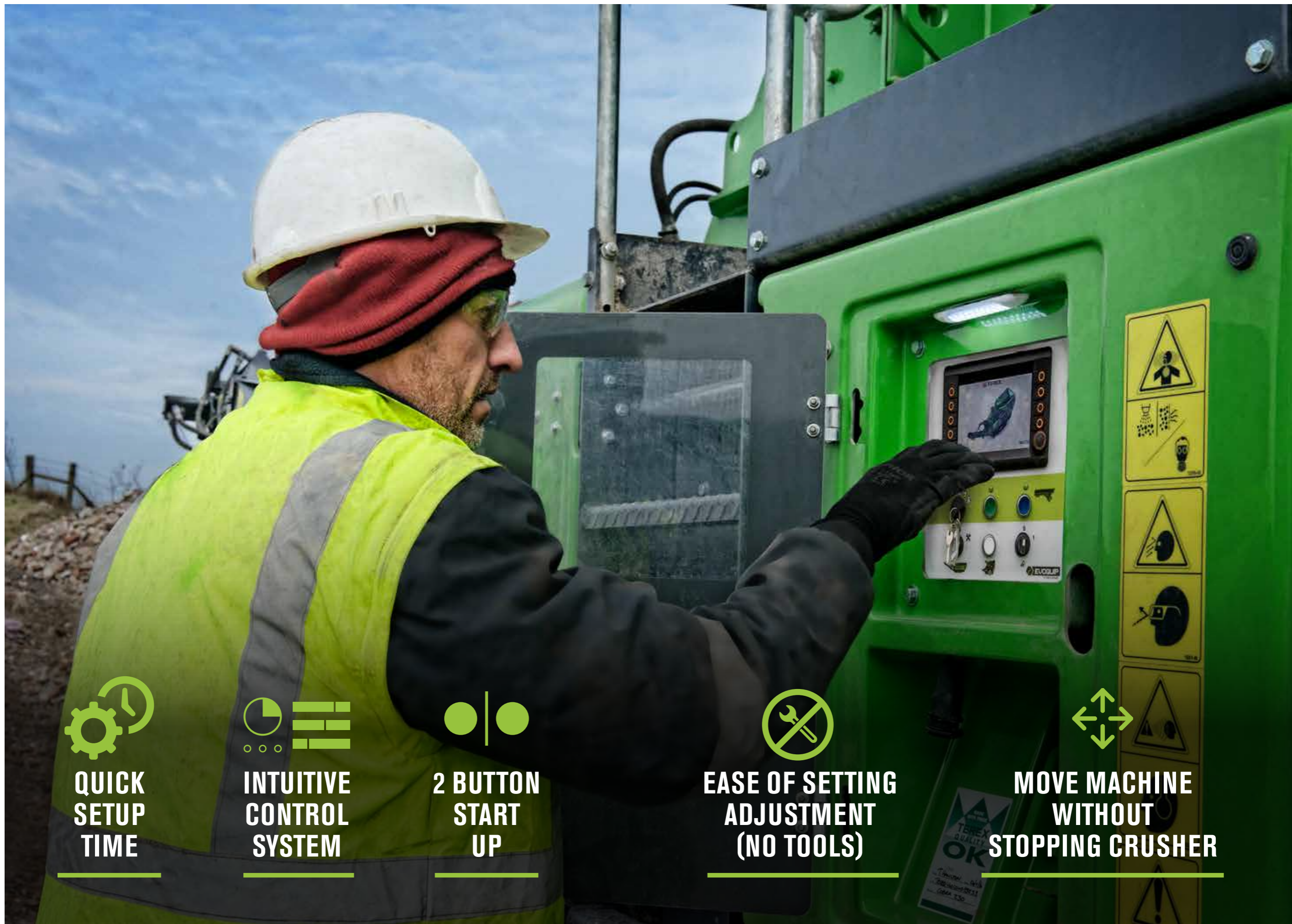
**2 BUTTON  
START  
UP**



**EASE OF SETTING  
ADJUSTMENT  
(NO TOOLS)**



**MOVE MACHINE  
WITHOUT  
STOPPING CRUSHER**





# OPTIMAL MATERIAL FLOW



**WIDENING  
MATERIAL  
PATH**

**2**

**INDEPENDENT  
HYDRAULIC  
APRONS**



**EXCELLENT  
UNDER CRUSHER  
CLEARANCE**



**ABILITY TO  
LOWER PRODUCT  
CONVEYOR**



# COMPACT WITH IMPACT



## ENGINE POWER

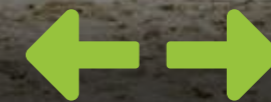
Tier 3 - 194kW / 260Hp  
Tier 4 - 205 kW / 275 Hp



## IDEAL FOR URBAN USE



## LOW FEED IN HEIGHT



## FEED SIZE

400mm<sup>3</sup> (16in<sup>3</sup>) / 700mm (28") diagonally  
750 x 450 x 200mm



## EASY TO TRANSPORT





# SERVICEABILITY



**PRODUCT CONVEYOR**  
can be removed for maintenance



**EXCELLENT**  
ground level access to all service points

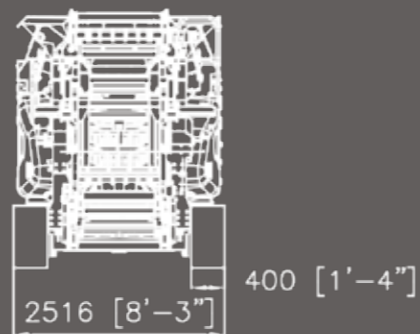
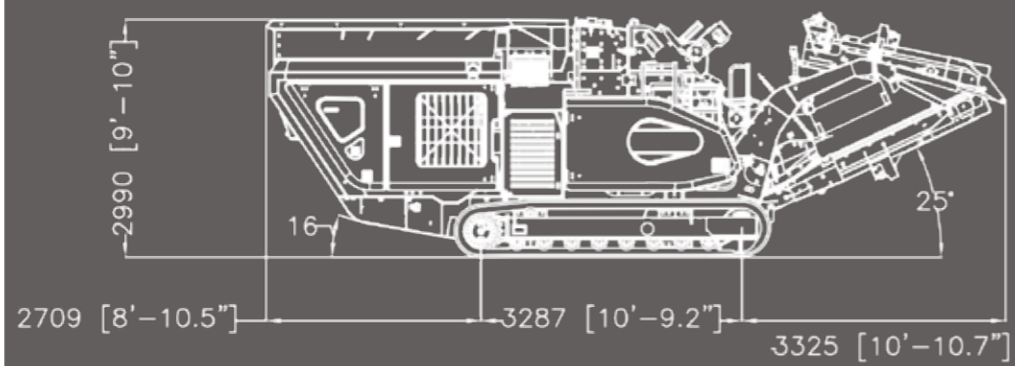
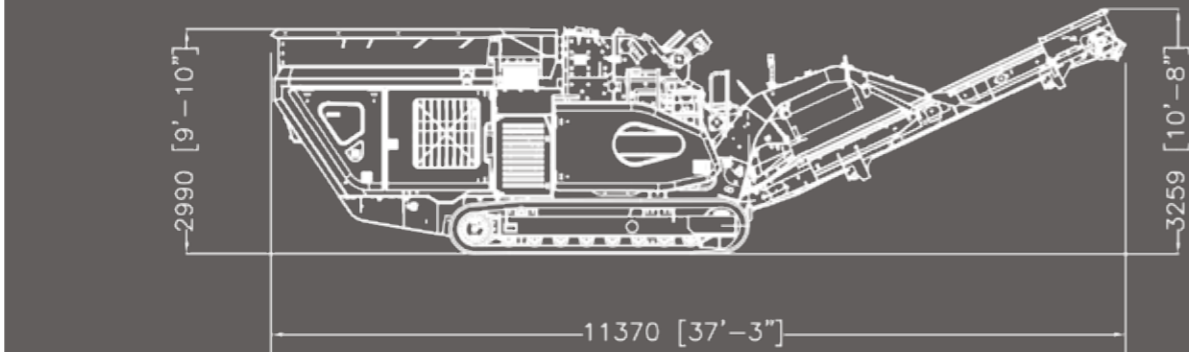


**HINGED RADIATOR PACK**  
to improve serviceability and aid maintenance

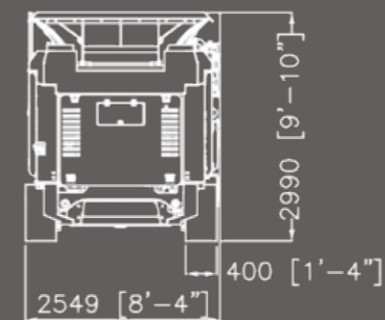
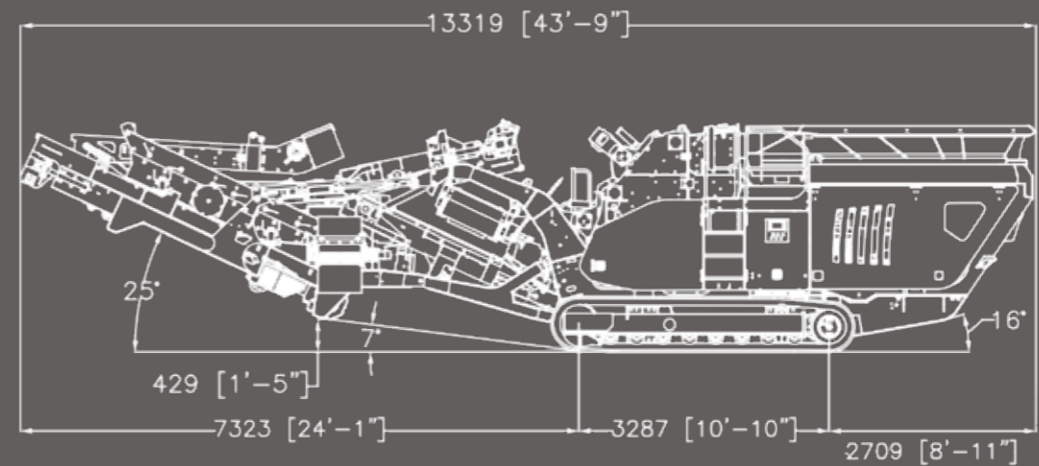
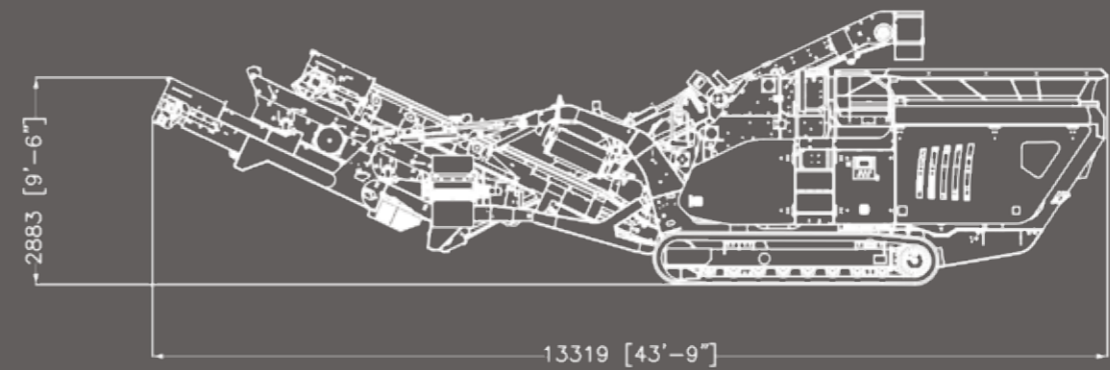




# DIMENSIONS - COBRA 230



Weight (with Magnet): Tier 3: 23,700Kgs (52,250lbs)  
Tier 4F: 24,000Kgs (52,911lbs)



Weight (with Magnet) Tier 4: 29,100kg (64,155 lbs)  
Constant speed: 29,300kg (64,595 lbs)

# DIMENSIONS - COBRA 230R



200 Coalisland Road,  
Dungannon, Co. Tyrone, BT714DR  
**Tel:** +442887718500  
**Email:** [evoquip@terex.com](mailto:evoquip@terex.com)



**[terex.com/EvoQuip](https://www.terex.com/EvoQuip)**

The material in this document is for information only and is subject to change without notice.

Terex assumes no liability resulting from errors or omissions in this document, or from the use of the information contained herein.

Due to continual product development we reserve the right to change specifications without notice.

Photographs are for illustrative purposes only, some or all of the machines in the illustrations may be fitted with optional extras.

Copyright 2018 Terex GB Limited.

Published and Printed in August 2018.