



SPECIFICATION

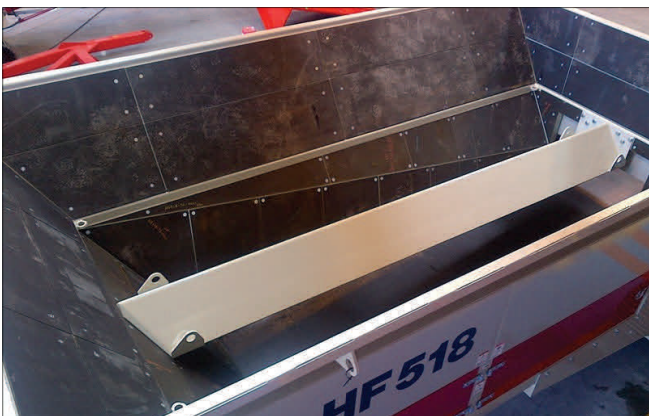
- Heavy duty 4.0 metre (12ft) tracks for site movement
- 1200mm (48") feeder belt. 3ply EP 500
- 1000mm (42") incline belt—21 metre (70ft) length conveyor. EP 400 3ply
- Heavy Duty folded plate chassis
- CAT 75.4 kw Diesel hydraulic engine for tracks and conveyor belts (Optional dual power)
- 7m³ Hopper as standard. Optional extensions and liners to increase capacity
- Hydraulic raise/lower incline conveyor



7m³ Hopper - *Optional 9m³ and 12m³ Upgrades*



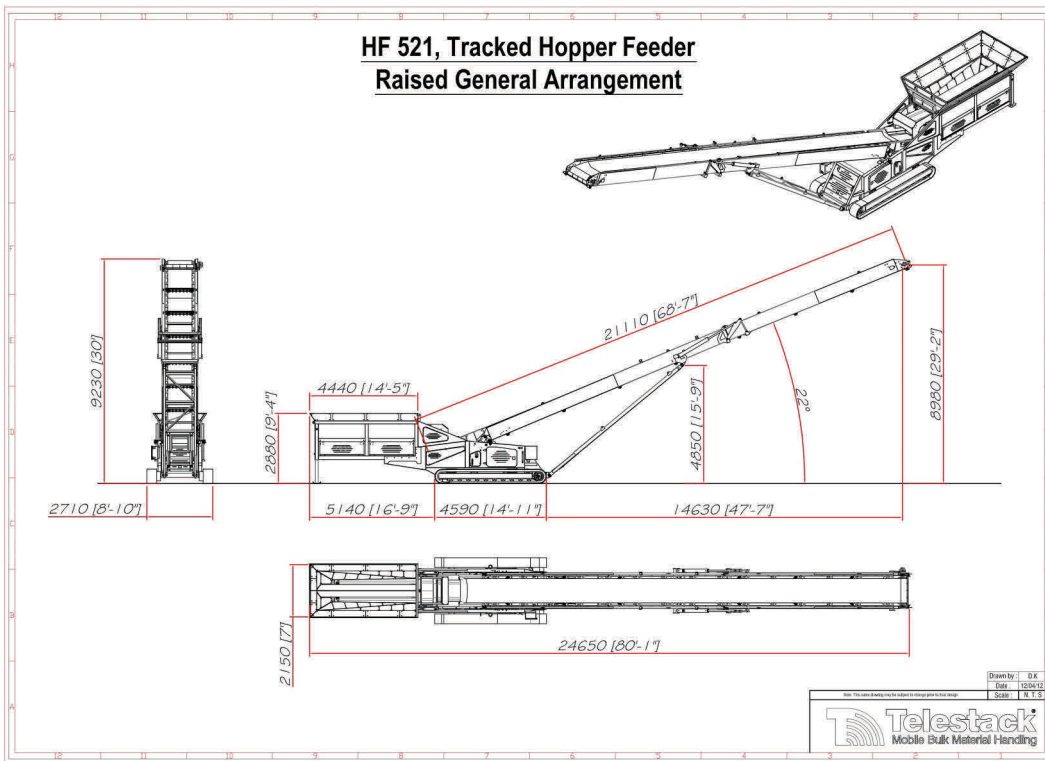
4.0metre (12ft) - 400 Shoe Tracks



Hopper with optional bolt-in liners.

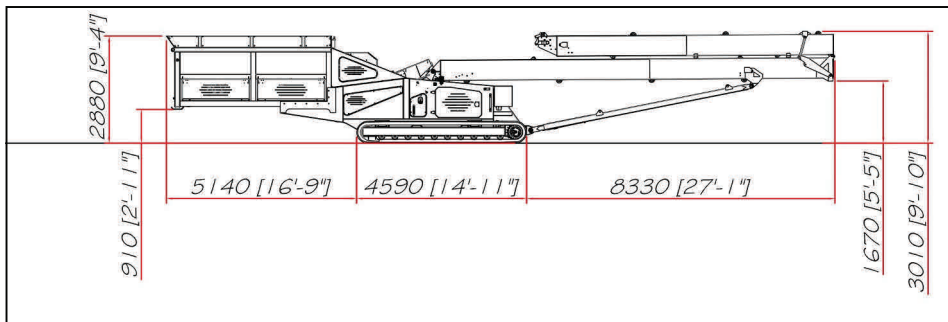


Heavy duty - 21 metre (70ft) Incline conveyor



KEY BENEFITS

- Eliminate double handling of material
- Unload directly from wheel loaders/grabs
- Hopper feeder for medium to large wheel loaders
- Much functional unit for stockpiling, feeding Telestack equipment, barge-loading and reclaiming
- Fully mobile independent unit with optional dual power - Electric motor driven



TYPICAL APPLICATIONS

- Stockpiling directly from wheel loaders/grabs
- Loading vessels / barges from wheel loaders or grab cranes.
- Feeding auxiliary Telestack equipment
- Feeding fixed equipment
- Discharging onto overland conveyor systems
- Mobile Reclaim hopper for stacker/reclaimer belt

HF 521 Tracked Hopper Feeder—Transport (1 x RO-RO)

- Drawing shows standard 300mm Hopper Extension.
- Please note 500mm and 700mm extensions increase transport height

Hopper Capacities

- Std Hopper with 300mm (12") Extension = 7m³ (9yds³)
- 500mm (20") Extension = 10m³ (13 yds³)
- 700mm (28") Extension = 12m³ (16yds³)
- 900mm (36") Extension = 15m³ (20 yds³)

Distributed by:

For Further Information

Telestack Limited
www.telestack.com

Tel: +44 (0) 2882 251100
Email: sales@telestack.com

**THE
POWER
TO MOVE
MATERIALS™**