



 **TEREX**[®]
WASHING SYSTEMS

**WASHING
AS IT
SHOULD BE**



AGGREGATES



RECYCLING



INDUSTRIAL SANDS



MINING



WATER MANAGEMENT



PRODUCT RANGE



AggreSand™ 206 & AggreScrub™ 150, Broom, UK

CONTENTS

Washing As It Should Be..... 5
 Washing Made Simple6-7

APPLICATION SOLUTIONS

Aggregates.....8-9
 Recycling.....10-11
 Industrial Sands.....12-13
 Mining 14-15
 Water Management.....16-17
 4SITE 18
 Applications, Training & Support, Laboratory Testing..... 19

YOUR PRODUCT CHOICE

MODULAR SOLUTIONS

Aggresand™21-23
 Aggwash™ 24-25
 AggreScalp™26-27

SCRUBBING

AggreScrub™ 28-29

SCREENING

M Range30-31
 Sreenbox Range32

WASHING & CLASSIFYING

FM Compact33
 FM UltraFines 34-35
 FM Direct Feed 36
 FM Superfines Range37
 FM Bucket Wheel 38
 Bucket Wheel Sand Plants 39
 Mobile Sand Screw Plants 40
 Sand Screw Plants41

STACKING

AggreStac™ 42-43
 Conveyors44-45

FEEDERS

H Range..... 46

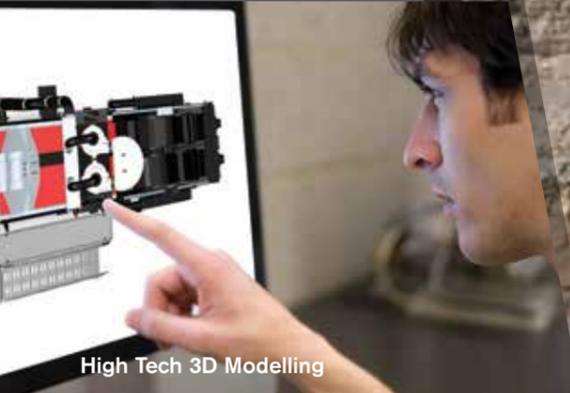
WATER MANAGEMENT SOLUTIONS

Waterpumps47
 Water Management Solutions 48-49

TWS SERVICES FOR YOU

Growing Global Network..... 50
 Distributor Network.....51
 Automation & Control52
 Finance.....53





High Tech 3D Modelling

An unrivalled heritage of over 60 years development experience and expertise in the washing solutions industry, has resulted in today's world class leading equipment - turning virgin and waste materials and minerals into high value, saleable products.

AggreSand™ 165, Ireland

WASHING AS IT SHOULD BE

Terex® Washing Systems (TWS) is the premier provider of advanced plant solutions for material and mineral washing needs in aggregates, recycling, industrial sands and mining.

An unrivalled heritage of over 60 years development experience and expertise in the washing solutions industry, has resulted in today's class leading equipment - turning virgin and waste materials and minerals into high value, saleable products.

As stringent materials regulations and the need for clean aggregates increases internationally, TWS has become a world leader in providing high quality, high efficiency and rapid return on investment solutions.

Our design and manufacture is driven by a spirit of innovation, universal health and safety and response to market demands, resulting in unique, market leading products and world class machines designed for world beating performance.

A complete range of in-house project specialisations ensures that from customer brief to tailor-made solution, every aspect of every commission is unique and every aspect of client service is covered.

TWS is headquartered in Northern Ireland with additional centres of excellence in Europe, Asia and America. We also partner with qualified and respected organisations worldwide to bring our customers consistent lifetime service, local expertise and knowledge and local aftersales. Our modular machines and parts are held in stock regionally and with our distributors guaranteeing fast response to our end users.

A unique level of focus and specialisation and an unparalleled washing heritage have made TWS the supply partner of choice for a wide range of operators, from independently owned one-site quarries through to international mining and construction organisations.



AggreSand™ 206 Control Panel

WASHING MADE SIMPLE

With a history spanning decades TWS have amassed unrivalled project experience and the product portfolio to match. Recognising the unique characteristics of the different industry sectors that we serve TWS have evolved 5 key segments; **Aggregates, Recycling, Mining, Industrial Sands, and Water Treatment.** Each sector brings a unique set of challenges and customer expectations and TWS tailor equipment and services offerings to match. Whilst operators across these segments have highly diverse input materials and production goals, all are consistent in their need for readily installed, highly efficient, rapid return on investment equipment solutions. These are the core driving principles of TWS design. Whether you need a compact station to recover maximum solids from a dredged slurry; you need to consistently achieve concrete specification sand with a variable feed source; or you need to maximise the Fe value of iron ores fines, TWS have the equipment and the experience to help.

New products and solutions are continuously developed to keep TWS at the cutting edge of the materials washing market and we constantly explore new materials, new sectors and new challenges. TWS are leading the sector's development towards compact modular systems bringing this to customers who were previously limited to capital intensive and highly inflexible conventional solutions.

Each sector brings a unique set of challenges and customer expectations and TWS tailor equipment and services offerings to match.

- AGGREGATES**
- RECYCLING**
- INDUSTRIAL SANDS**
- MINING**
- WATER MANAGEMENT**

MODULAR SOLUTIONS



Today's end users rightly expect total understanding of their requirements and total performance. TWS was founded on this principle and we have combined our ability to offer competitive single unit 'standardised' equipment with the capacity to design and deliver complete turnkey projects for even the most demanding materials and requirements.

SCRUB



Static and modular systems offering aggressive attrition for sticky and high clay content materials. Highly effective with overburdens, clay-bound ores and recycled materials containing lightweight contaminants.

SCREEN



From our unique track mounted M-Series which can operate on a wet or dry basis through to our comprehensive range of static and modular units for sizing and dewatering TWS offers a substantial selection of screens covering numerous applications and sectors.

WASHING & CLASSIFYING



Highly comprehensive range of dewatering options for fine materials including screw dewaterers, bucket wheels, and hydrocyclone technologies, all proven on a global basis. Unique ability to offer off-the-shelf ready-made products or to design complete bespoke solutions.

FEED & STACK



High performance, heavy duty electrical screening solutions, ideal for aggregate and recycling applications or you can opt for our stand alone feeder options.

Cost effective efficient modular and mobile units that can be used on a stand-alone basis or integrated with larger TWS systems. Hydraulic, electric, static, mobile. Move it, wash it, stack it, sell it.

WATER MANAGEMENT



All washing systems need water but TWS designs and efficiencies keep requirements to a minimum. Proven water management and recycling systems, from thickeners to presses and moisture reclamation systems, ensure that operators in even the most controlled or arid environments can produce high quality materials at a low cost per ton.

AGGREGATES

From sand used in Dubai's most audacious construction projects to aggregates supplied to the London Olympic preparations Terex Washing Systems are relied upon by World leading contractors and building materials suppliers to provide the highest quality in-spec. products.

Bringing more than 60 years of washing sector experience spanning the widest range of raw material types, final product requirements and geographical variations TWS provides the complete portfolio of products and services to suit your application. Whilst materials and output requirements vary with each project all aggregate sector clients have the same core needs: high quality, low cost per ton materials. TWS provides versatile modular systems, designed to be installed as quickly as possible and as easily as possible. In an ever changing market place they are ready to move when you are, and with a broader network of qualified dealers than any other washing equipment supplier we are dedicated to being close to you at each step of your project.

TWS products offer the performance, reliability and longevity to deliver. From the T150 bucket wheel dewaterer, one of the most widely distributed sand washing machines in the World to the sector defining AggreSand – the World's first chassis mounted integrated system offering 5 washed products TWS is always innovating, always one step ahead.

Whether you operate a 100tph sand and gravel pit, need to recover commercial grade aggregates from overburden, dredged recovery or crushed rock fines TWS are ready to deliver on promises that will let you keep yours.

Always innovating,
always one step ahead.

High Frequency Dewatering Screen



DID YOU KNOW?

That aggregates used in the construction of the Britain - France Channel Tunnel was washed using a Terex Washplant.

AggreSand™ 165, Ireland



Part Rinsing/Sizing Screen

RECYCLING

As an Island nation with high population density and high construction activity the UK has become a national case study in construction materials recycling. Terex Washing have been at the vanguard of UK recycling process developments, leading the move from a crush and screen approach to a more holistic value addition format. With the ability to draw upon unmatched crushing, screening, washing and water management Terex offers the most complete and proven solutions available anywhere. We fully understand the specific challenges raised by recycled materials: high variability of materials, need for high quality production, limited water availability, constraints on planning parameters and land availability, preferences for systems which can be easily relocated if required. Our AggWash and AggreScrub systems demonstrate our recognition of these issues and our ability to bring solutions, having been primarily designed for the construction and demolition recycling sector. Of course they have since proved their value in a wide range of applications.

Construction and demolition waste recycling is now one of the most eagerly discussed sectors within the construction materials industry at an international level and TWS is uniquely ready to meet this challenge. Our constantly evolving product and process solutions ensure maximum productivity and most importantly product quality. From a commercial perspective the operator can expect higher output, higher revenue products, lower waste generation and low production costs.

Our constantly evolving product and process solutions ensure maximum productivity and most importantly product quality.



AggreScrub™ 150, UK



DID YOU KNOW?

Recycled aggregates used in the construction of facilities used for the Commonwealth Games 2014 were washed using a Terex Washplant.

INDUSTRIAL SANDS

One of the most specialised and diverse sectors within materials processing is the rapidly evolving world of industrial sands, particularly silica sand. High quality silica sand has become a much sought after commodity and whilst the range of clients is almost as diverse as the range of end uses for their sands we find they have a number of notable core requirements in common. Maximum SiO₂ content, reduced clay fractions, reduced metallic contamination and of course efficient and highly accurate size separation.

Our systems have long been used within the industrial sand sector but we are committed to understanding current and future market needs and offering equipment today which will solve tomorrows' problems. The system is also highly flexible to accommodate industrial sand applications beyond the fracking sector; for example sports sand product, filter sand, glass sand and foundry sands.

From a single unit scope of supply through to a complete project solution TWS are ready to and value to your materials and to your operations.



Dry Material Instantly Saleable, 12-15% Moisture

We are committed to understanding current and future market needs and offering equipment today which will solve tomorrow's problems.



DID YOU KNOW?

Sand used in the construction of the Burj-Al-Arab Hotel, Dubai was washed using a T100.



MINING

It's no secret that the global mining sector has had many new challenges to face in recent years with fluctuating commodity prices and ever increasing social and environmental scrutiny. TWS is dedicated to delivering innovative systems which increase mine yields, efficiencies and flexibility and reducing potential environmental impact. We have specifically adapted systems to accommodate a range of materials. Examples of our broad experience includes iron ore applications in India, coal processing in Australia and diamond recovery in Africa.

The environmental benefits delivered through increased efficiency are clear but so too are the return on investment opportunities for operators looking for alternatives to conventional large scale static plant. Rapid mobilisation and scalable modular systems are the key, coupled with maximum recovery of commercially viable materials thereby reducing waste and by products and ensuring that water is properly managed.

When the iron ore sector in India was striving to find ways to handle lower grade feed stocks, particularly accumulated low fe fines Terex was at the forefront adapting and developing systems and investing in World class production facility in Hosur. This underlines our commitment to providing more than mechanical solutions. As a Global company we are there in your market, ready to work with you to find better, more efficient, and lower impact ways of delivering the materials needed by industry.

As a Global company we are there in your market, ready to work with you to find better, more efficient, and lower impact ways of delivering the materials needed by industry.



DID YOU KNOW?

Sand used in the construction of the Istanbul 'Third Bridge' was washed using a FM120BW.



DID YOU KNOW?

Material used in the construction of the Brenner Base Tunnel (Austria) is being washed using an AggreSand™ 165.

Filter Press, Hawaii



Whichever material you wash you will need water. With Terex Washing Systems you need less. We start by designing our equipment to ensure that unnecessary losses through spillage and leaks is eliminated. Then we optimise processes to ensure that water is internally recycled and reused wherever possible. A good example would be the ground sumps that we often use to capture and reuse rain plant wash down and rain water.

Our Applications Engineering Review team produce a detailed mass balance flow drawing for every project and here we can clearly identify all channels for water loss and again consider case by case possibilities for reduction. The main losses for any system will be in washed product stockpiles and with the final undersize fraction.

Our advanced dewatering systems ensure that stockpiles are as dry as possible, presenting ready to use or sell material with minimal water content. This can be further enhanced through the use of our stockpile dewatering systems, drawing water back from the stockpiles to the washing circuit.

We offer a range of solutions to manage the process water depending on the material type, volumes, settlement characteristics, space, budget and mobility limitations. A complete approach will typically include thickener (either deep cone or rake format) followed by a filter press, carefully sized on a case by case basis to provide consistently dewatered tailings, maximum water return to the system and of course low operation and maintenance costs.



Water Treatment System, UK

Whichever material you wash you will need water.

With Terex Washing Systems you need less.

With you every step of the way.



4SITE

A COMPLETE PROJECT MANAGEMENT SERVICE

Terex Washing Systems offer **4 SITE**, a comprehensive project management service which provides you with enhanced levels of support during every step of your project. We believe that rapid-response, qualified, and effective support is crucial in meeting end-user needs, letting you deliver on your promise as well as developing long term client relationships.

Each of our project management packages include **4 Key Steps**.

1. APPRAISE

TWS carry out a full appraisal of your projects needs, giving you accurate and timely guidance and technical advice.

2. PLAN

This is followed by a comprehensive project plan tailored to your specific installation.

3. SUPPORT

TWS provide complete support from our dealer network: local experts, local parts availability, local care before, during and after your installation.

4. INSTALL

During the installation process TWS provide varying levels of On-Site support which are relative to the package chosen.

These packages are supported by TWS at an international level through our regional partners and from our Northern Ireland headquarters.

Contact: TWS.4site@terex.com to discuss a project management service for you



APPLICATIONS

- Virgin Aggregate
- Manufactured Sand
- Sand & Gravel
- Crushed Rock
- Crusher Dust
- Scalpings
- Iron Ore
- Other Mineral Ores
- Construction & Demolition Waste Material



TRAINING & SUPPORT

TWS offers fully tailored training packages for both dealers and customers alike. This training covers all aspects of our machinery, including basic operational data, correct sizing of screens, pumps, cyclones and full sales and application training.

For further information on training or to book a training session email: TWS.Applications@terex.com



LABORATORY TESTING

TWS offers full in-house sample analysis and testing of proposed products. This process allows us to specify the correct screening media apertures so that the customer achieves the desired product size. Sieve analysis is extensively used as a powerful quality control and acceptance tool. The gradation data is used to calculate relationships between various aggregates or aggregate blends, to predict trends during production and to check compliance with such blends.



We also test for many other factors including correct specification of flocculent type, oil / water separation etc.

For further information on your requirements and to discuss your specific application: Email: TWS.Applications@terex.com



AggreSand™ 206, UK

MODULAR SOLUTIONS

AggreSand™ 165 / 206

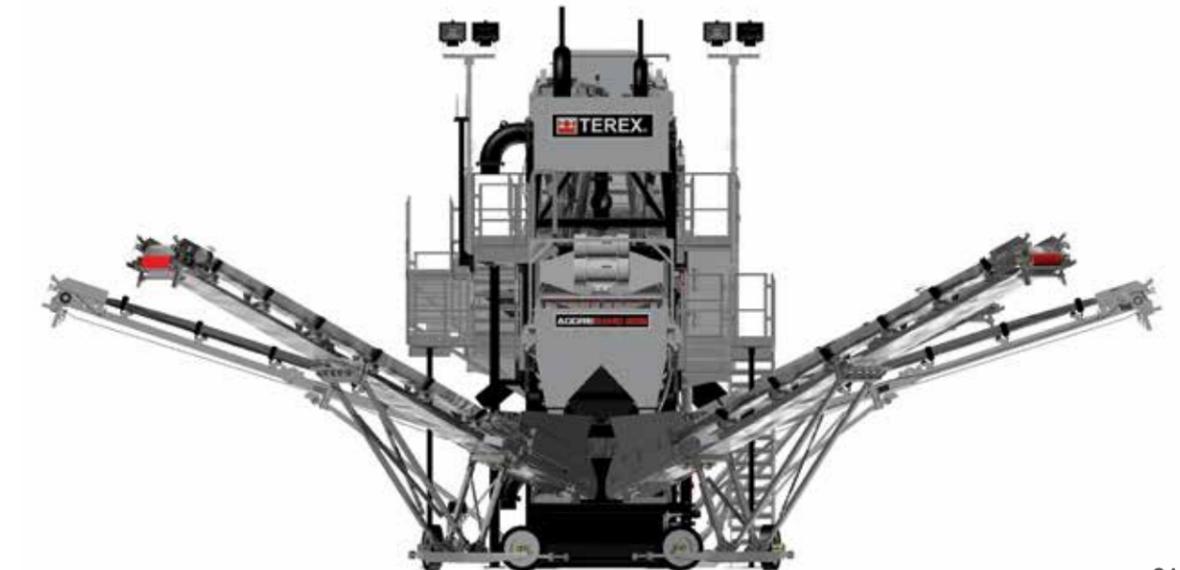
AggreSand™ is a highly versatile integrated washing station with outstanding performance capability across a wide range of materials and the ability to offer up to 5 washed and sized products. Its readily portable format makes it particularly suitable for green-field applications / contractor use / temporary planning permission sites but operators more used to static installations will still appreciate the small footprint and minimal site preparations required. In all cases installation time is significantly less than conventional builds thanks to the high level of factory pre-fitting and connections. The no-compromise design ethos adapted ensures maximum serviceability and performance despite the highly integrated and compact nature of the system with numerous innovative features including easily removed pumps, ready access to screening media and intuitive controls. The range includes numerous modular configurations but all are based around the choice of a 16x5' or 20x6' washing screen and a choice of sand output capacities.

FEATURES AND BENEFITS

- Up to 3 washed aggregates & 2 washed sands
- Modular design with 'plug and play' electrical connections for quick set-up
- Pre-wired & pre-plumbed with single connection points
- Fully automated touch screen control providing all-round plant information
- Choice of grid and screen media options to suit your application
- Intelligent low level and easy access features for maintenance and wash down
- Transportable in 4-6 containers

APPLICATIONS

-  AGGREGATES
-  RECYCLING
-  INDUSTRIAL SANDS
-  MINING



AggreSand™ 165 / 206

KEY FEATURES & BENEFITS

- Automated radial sand stockpilers
- 350m³ (458yds³) stockpile per conveyor
- 800m³ (1046yds³) single sand

- Choice of 3.m x1.5m (12'x5') DW screen (producing up to 120tph) or 4.8m x 1.8m (14' x 6') DW screen (producing up to 200tph)
- High frequency dewatering screen delivering superior moisture reduction

- Single or twin cyclones with drop in replaceable liners

- Choice of 4.9m x 1.5m (16'x5') or 6m x 1.8m (20'x 6') washing screen
- Isolated spraybars
- Polyurethane decks
- Sealed catchment tank rubber lined
- Aggregate blending chute
- Service accessible rolling chute

- Optional overband magnet for the removal of ferrous metals when operating in recycling applications

- Modular 12m³ (16yds³) capacity hopper
- Radio controlled tipping grid or vibrating grid
- Variable speed belt feeder
- 37Kw (50hp) electric hydraulic powerpack

- Advanced automated control system with remote communication and radio

- All pumps have replaceable rubber liners for extended wear life
- Roll-out pump feature for easy maintenance

- 1050mm (41") wide belt
- Integrated sealed washbox
- Raisable head section for screen access



Aggwash™ AW 60-1 / 60-2

The world's first modular scrubbing station to integrate heavy attrition with sizing, lightweight contaminants removal and hydrocyclone based fines recovery in a single highly portable chassis. AggWash is a rapid-install solution for a wide range of applications within the aggregates, recycling, remediation and mining sectors.

Primarily designed for the processing of construction and demolition waste but equally suited to virgin material applications. The AggWash 60-1 / 60-2 is capable of producing four grades of aggregate and up to two grades of sand at up to 70 tonnes per hour. AggWash was Winner of the 2010 World Demolition Awards.

KEY FEATURES AND BENEFITS

- Produces up to 4 grades of aggregate and 1 or 2 grades of sand
- Modular design, pre-plumbed with single connection point for quick set-up
- All electric plant, pre-wired complete with simple plc control panel
- Logwasher angle adjustment allows increased material retention and removal of trash
- Overband magnet on feed conveyor for removal of ferrous metals
- Rubber lined pumps, cyclones and transfer points for extended plant life
- Transportable as single chassis or in 3-4 containers

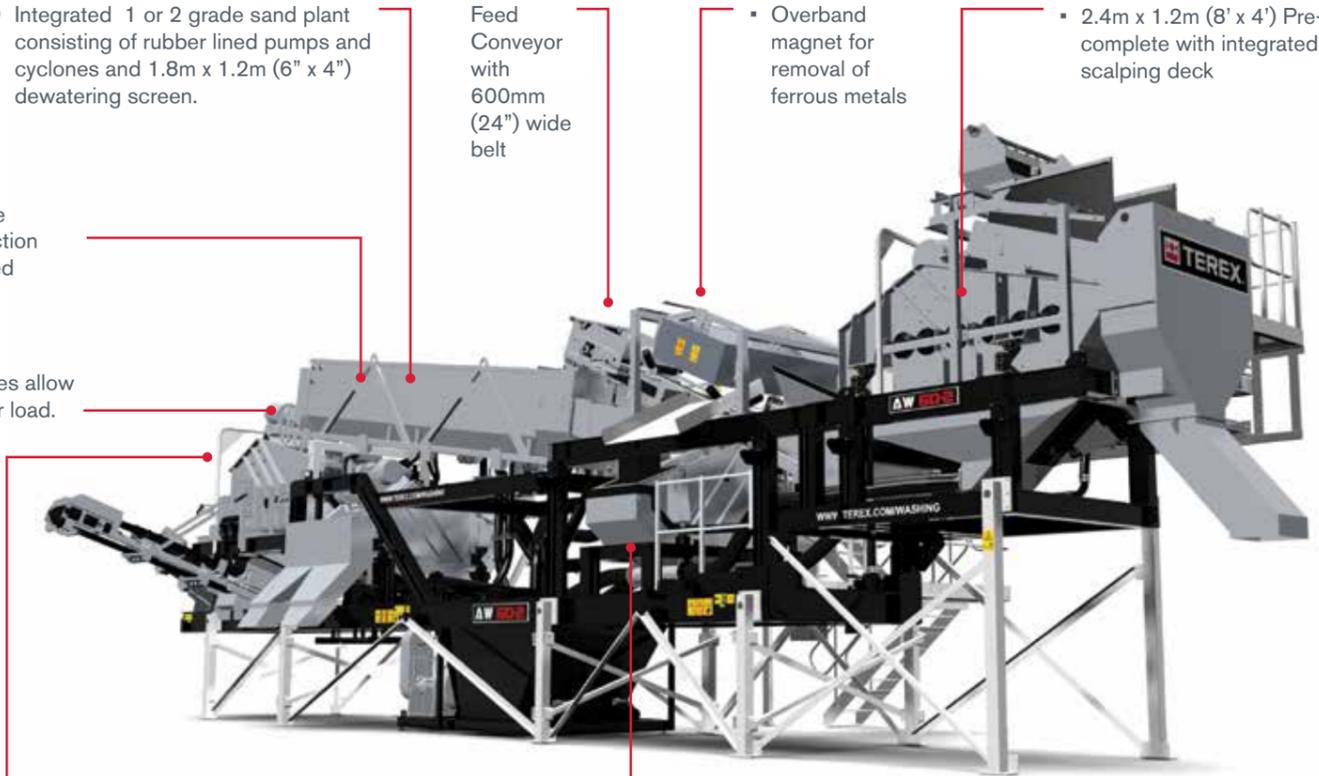
APPLICATIONS

-  AGGREGATES
-  RECYCLING
-  INDUSTRIAL SANDS



KEY FEATURES AND BENEFITS

- Integrated 1 or 2 grade sand plant consisting of rubber lined pumps and cyclones and 1.8m x 1.2m (6" x 4") dewatering screen.
- Feed Conveyor with 600mm (24") wide belt
- Overband magnet for removal of ferrous metals
- 2.4m x 1.2m (8' x 4') Pre-Screen complete with integrated protective scalping deck
- Twin shaft logwasher with angle adjustment, to scrub gravel fraction and float out organics & adhered contaminants
- 2 Independent high torque drives allow the logwasher to start-up under load. preventing blockages
- 2.4m x 1.2m (8' x 4') 2-deck part rinser screen capable of producing 4 washed aggregates
- 1.8m x 0.6m (6' x 2') trash screen for dewatering of lightweight contaminants from logwasher



AggreScalp™

The Terex® AggreScalp™ is a versatile, high performance heavy duty electric screening machine that has the flexibility to operate as a 2-way or 3-way split screener. The highly aggressive screen can accept media including bofor bars, finger screens, woven mesh and 3D punch plates, which allows it to be used across a wide variety of applications.

With onboard hydraulic folding product conveyors, hydraulic screen angle adjustment and single lift set-up, it remains easy to transport and easy to set-up. The AggreScalp™ can work in conjunction with the Terex® AggreSand™ range by providing a consistent feed material even in difficult applications. Together they form an efficient, lower operating cost aggregate and recycling solution.

FEATURES & BENEFITS

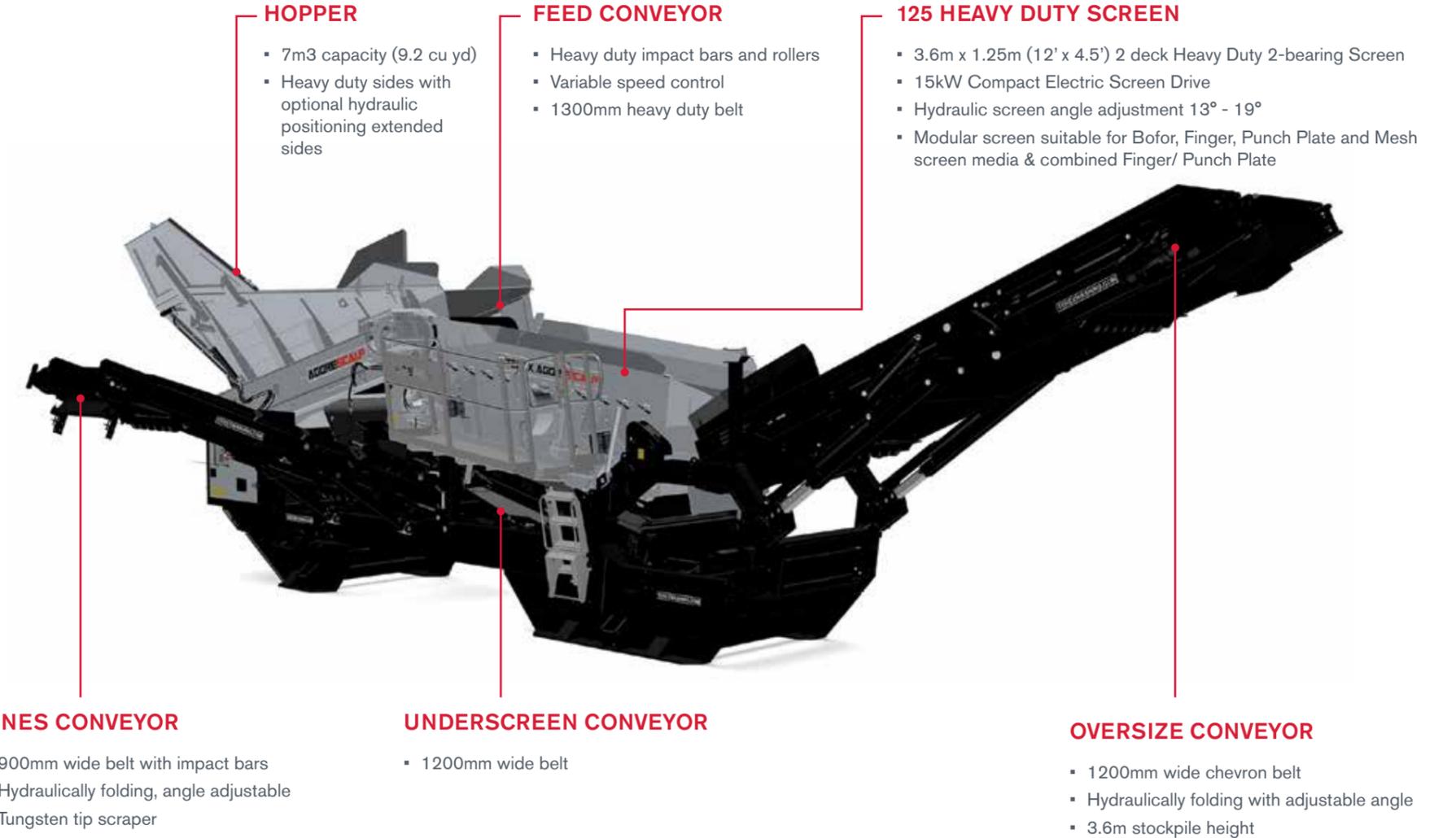
- Semi-mobile
- Electric powered (40Kw)
- Integrated hydraulic pack for set up
- Pre wired & pre plumbed
- Quick set up
- Integrated discharge conveyors
- 2-way & 3-way split

APPLICATIONS

-  **AGGREGATES**
-  **RECYCLING**
-  **MINING**



KEY FEATURES AND BENEFITS



AggreScrub™

SCRUB, SIZE, SEPARATE

The AggreScrub™ 150 plant is particularly suited to the C&D recycling market. Key benefits for customers include the improved wear characteristics, reduced costs, and the ability to effectively scrub aggregates and float out clays/silts/lights (wood/plastics) on one chassis. In addition, there are also a number of paddle options available depending on customers' needs, including the traditional hard wearing AR blades in 15 and 30mm variances as well as a new high manganese steel option.

FEATURES AND BENEFITS

- Produces up to 4 grades of washed screened aggregate
- Modular design with 'plug and play' electrical connections for quick set-up
- Pre-wired & pre-plumbed with single connection points
- Fully automated touch screen control providing all-round plant information
- Logwasher angle adjustment allows increased material retention and removal of trash
- Choice of replaceable high tensile blades 15mm or 30mm ar, or long-life manganese cast blades to suit your application.
- Transportable in 2 containers

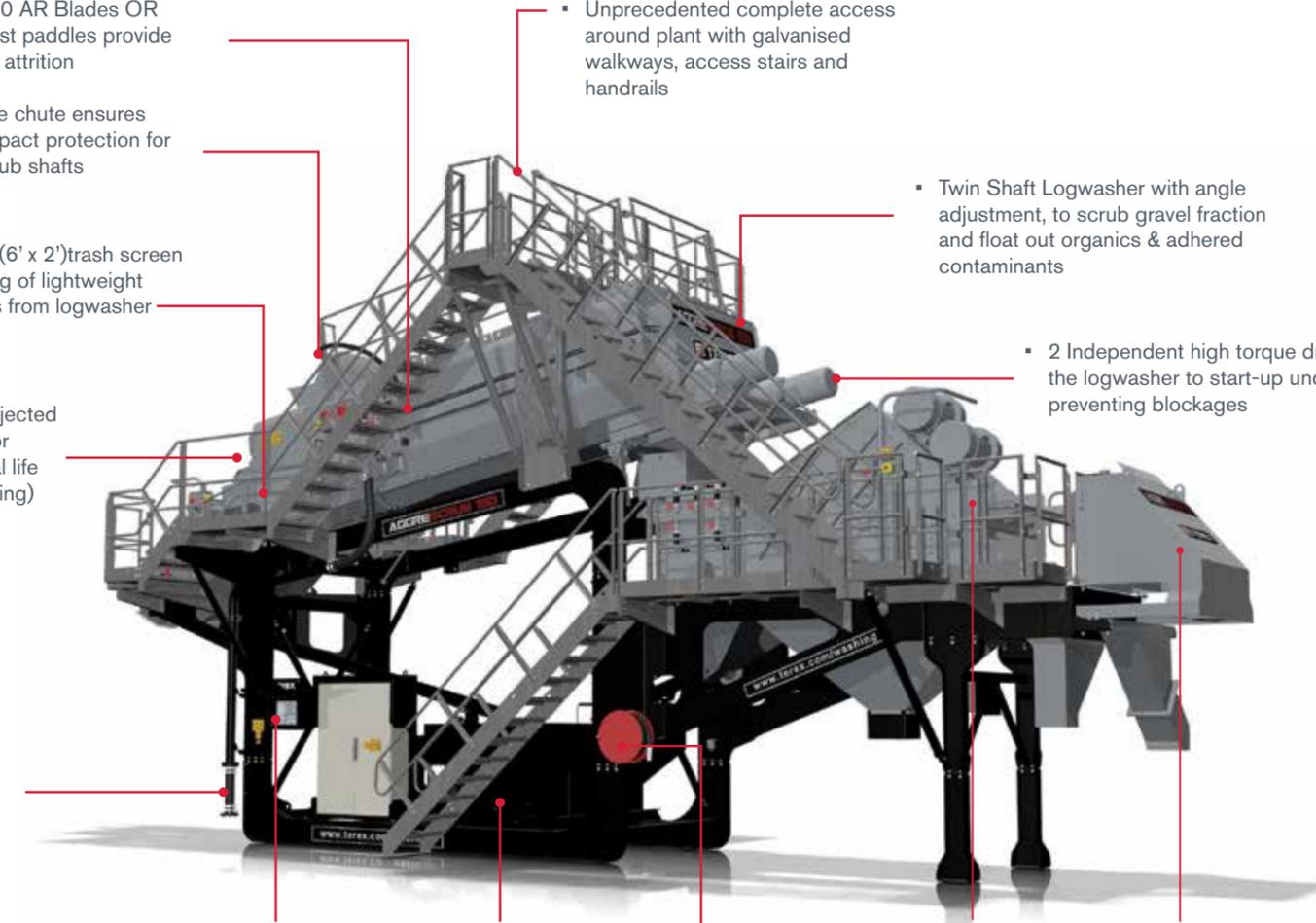
APPLICATIONS

-  **AGGREGATES**
-  **RECYCLING**



Aggresrub™ working in conjunction with Aggresand™

- Choice of 500 AR Blades OR Long-Life Cast paddles provide high levels of attrition
- Deadbox style chute ensures feed point impact protection for the Aggrescrub shafts
- 1.8m x 0.6m (6' x 2') trash screen for dewatering of lightweight contaminants from logwasher
- New water injected spiral bush for extended seal life (Patent Pending)
- Single water inlet point
- Unprecedented complete access around plant with galvanised walkways, access stairs and handrails
- Twin Shaft Logwasher with angle adjustment, to scrub gravel fraction and float out organics & adhered contaminants
- 2 Independent high torque drives allow the logwasher to start-up under load, preventing blockages
- Advanced fully automated control system with remote communication
- Integral sump tank and pump for collection and removal of dirty water
- Wash down hose reel
- Choice of 2.4m x 1.2m (8' x 4') Single Deck or 3.7m x 1.5m (12' x 5') 2 Deck aggregate screen capable of producing up to 4 sized products
- Compact rolling chute assembly for easy access to screen media (Patent Pending)



M RANGE

M084 / M390 / M1400 / M1700 / M2100

With the M-Range Terex Washing Systems boasts the widest range of track or wheel mounted, fully mobile washing screens available.

Designed to work independently or with the other Terex Washing Systems range of equipment as part of an entire plant, the M-Range is ideal for short to medium term projects.

The traditional wheel mounted M084 & M390, comprising of a Feeder, Reject Grid, Feed Conveyor & forward facing Screen, offers an excellent entry level robust washing unit with maximum flexibility for integration into a larger plant.

The more familiar Track mounted M1400, M1700 & M2100 offer the same features on a larger capacity unit, with the added benefit of fully hydraulic folding on-board conveyors.

M-Range machines are available with various engine or dual power electric options.

Capable of producing up to 5 products, they also offer adaption kits to convert to a dry screening application within hours, resulting in the M-series being the most flexible units on the market.

2 & 3 deck variants are available.

FEATURES & BENEFITS

- Track mounted or wheeled mobile washing screens with integrated feed hopper and on-board discharge conveyors
- Quick set up time typically under 15 minutes
- Engine options to suit tier 3 & tier 4 as well as dual power electric drive options
- Hydraulic adjusted screen angle for optimum screening performance.
- Choice of grid and screen media options to suit your application
- Rubber lined catchbox for single or two grades of sand
- Fines conveyor option for dry screening for maximum machine versatility

APPLICATIONS

-  AGGREGATES
-  RECYCLING



M390



M1700

Screenbox Range 8x4 / 12x5 / 16x5/ 20x5 / 20x6

The Terex® Screenbox Range is designed for maximum production efficiency in applications including sand and gravel, coal, crushed stone, slag, recycled materials, concrete, iron ore and silica glass.

Available in sizes ranging from 2.4m x 1.2m (8' x 4') up to 6m x 1.8m (20' x 6') all Screenboxes come with the choice of 2 or 3 Decks and a range of media options.

Robust, easy to assemble structures to mount the screen unit are available in a variety of heights to integrate with other Terex Washing Systems equipment. Each structure includes integrated lined discharge chutes, walkways and access steps which can be assembled in a number of configurations to suit your site layout.

FEATURES AND BENEFITS

- Produces up to 4 grades of washed aggregate and 1 or 2 grades of sand
- High efficiency - low maintenance direct electric drive
- Choice of side tensioned wire mesh or modular polyurethane decks to suit your application
- Isolated spraybars with individual flow valves provides complete water control
- Robust easy to assemble steel support structure, complete with galvanized walkway & handrails provide easy access to any corner of the structure
- Intelligent roll-away chute design allows greater access for media changes
- Extensive rubber lining of all chutes, catchbox and washbox for extended wearlife

APPLICATIONS

- AGGREGATES
- RECYCLING



FINESMASTER

FM Compact FM 20 C / FM 60 C / FM 120 C / FM 120 2G / FM 200 C

The Terex® FM Compact range are static sand recovery units designed to be both cost and energy efficient. The range uses centrifugal force within the cyclone(s) to remove clay, silt and slime from sand to bring it into specification. The range combines a collection tank, centrifugal slurry pump(s), hydrocyclone(s) and a dewatering screen on a single chassis.

FEATURES & BENEFITS

- Can recover 1 or 2 grades of sand from wet feed or bolt-on boiler box option for direct dry feed
- Maximum recovery of saleable material through the removal of silt, slimes and clays below 75µm (200 mesh)
- Robust easy to assemble steel construction complete with galvanized walkway & handrails provide easy access
- Low maintenance & simple operation with self regulating cyclone tank
- Pumps & cyclones have replaceable rubber liners for extended wear life
- High frequency dewatering screen reduces residual water content in your final product to 10–15%
- All electric plant pre-wired to control panel or isolators to integrate with other equipment

APPLICATIONS

- AGGREGATES
- RECYCLING



FINESMASTER

FM UltraFines™

The Terex® FM UltraFines™ is a crucial step in efficient management and recovery of ultrafines sand from waste water streams, produced from washing processes.

This ultra-fines recovery unit can process up to 450m³ per hour of slurry recovering material as low as 40 micron, thus reducing the volume of solids reporting to storage ponds or water treatment plants.

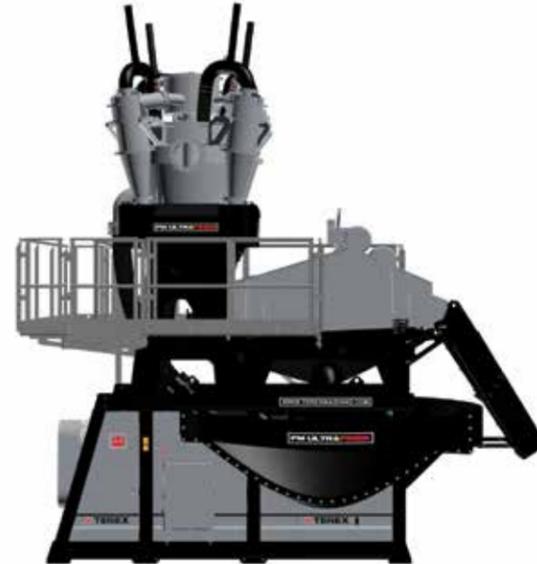
Bringing together a centrifugal pump, a cluster of 4 hydrocyclones and a high frequency dewatering screen on one chassis. The FM UltraFines™ also boasts a uniquely designed conical tank and anti-turbulence system, which is essential in the process of ultra-fines recovery.

FEATURES & BENEFITS

- Large volume conical tank with bolt on sides
- Removable chassis cover panels for improved serviceability
- Accessible lined pump and motor
- Cyclone array with easy access catch boxes
- Standard 8x4 Dewatering screen
- Fully galvanised, reversible walkways
- 3 Pump options available, dependent on applications

APPLICATIONS

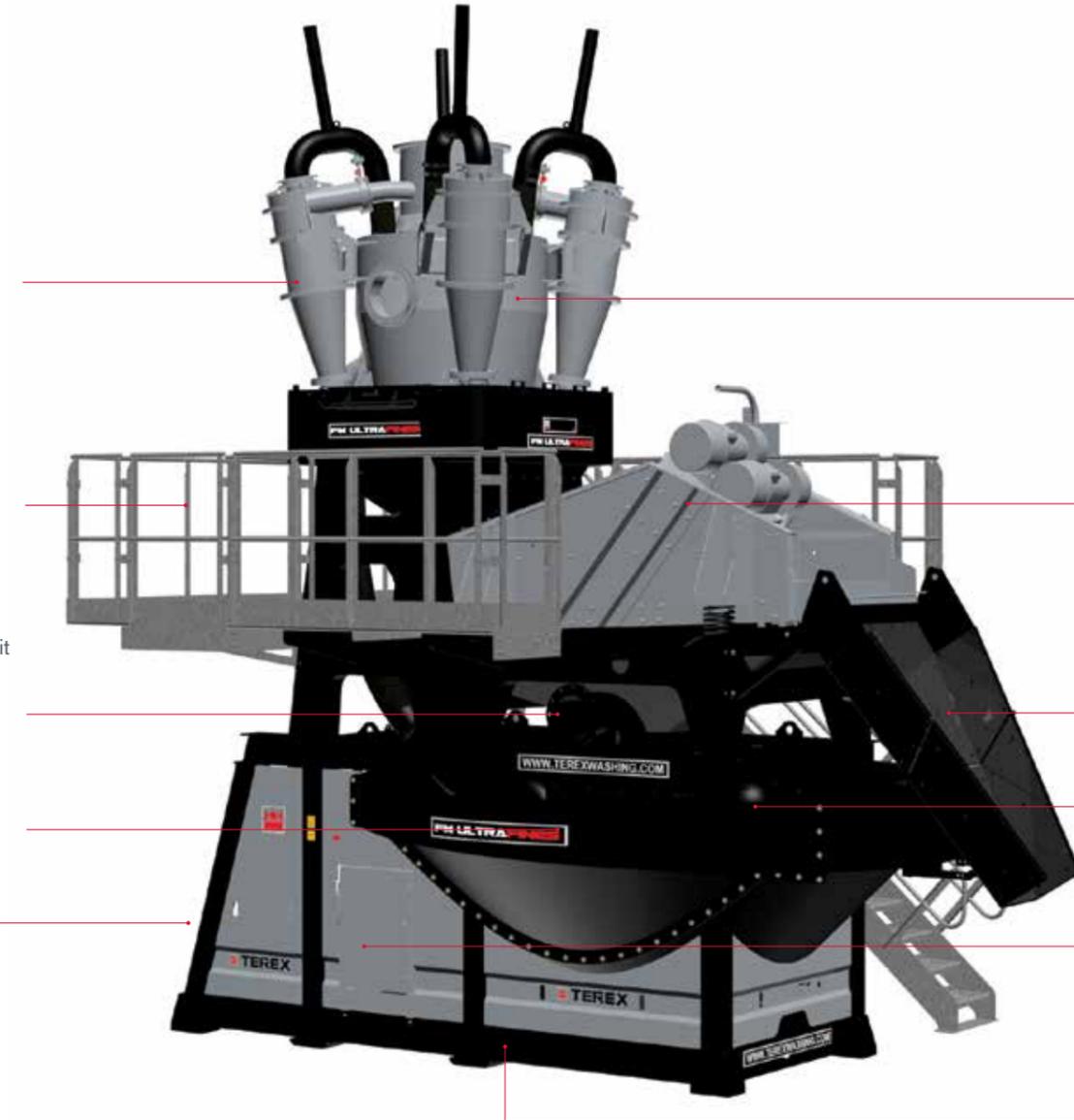
-  AGGREGATES
-  RECYCLING
-  INDUSTRIAL SANDS
-  MINING



- Cluster of 4 no. T375 cyclones with drop-in replaceable liners
- Single 12" overflow discharge connection
- Fully galvanised access walkways for maintenance of dewatering screen & cyclone spigots.
- Intelligent symmetrical design allows assembly to suit left or right access.
- Single 10" rubber lined feed point can be configured left or right to suit site set up.
- Anti-turbulence feed box provides controlled wearing & reduced settling time.
- Conical tank design eliminates risk of fines build up.
- Bolt-on sides allow simple containerisation and site set-up.
- 200/150 pump complete with 30kW electric motor.
- Replaceable rubber liners for extended wear-life.



- Lift out pump feature for easy maintenance.



- Fully lined cyclone discharge box for increased wear-life.
- Quick release lids for inspection and maintenance.
- 2.4 m x 1.2m (8'x4') high frequency dewatering screen optimising superior moisture reduction.
- Full width PU media for quick change outs.
- Low friction discharge chute with angle adjustment.
- Self regulating float level system provides consistent tank volume and pump run-dry protection.
- Wired to isolators or fully enclosed control panel to integrate with other TWS equipment.
- Raised chassis design for wash down.

FINESMASTER

FM Direct Feed

FM 60DF / FM 200DF

The FM Direct Feed allows economical washing and sand processing to happen on a very small footprint. The unit is suitable for pre-screened material with minimum oversize and is especially suited to dust washing applications.

The FM Direct Feed is a compact sand plant that works on the principle that a dry pre-screened feed is delivered to the wash box equipped with a high pressure spray bar to pre-soak the feed before being delivered to the screen.

It has been introduced for applications where the percentage of oversize in the feed material is minimum.

FEATURES & BENEFITS

- Can produce 1 rinsed aggregate and 1 grade of sand (or 1 coarse sand and 1 fine sand) from a single dry feed material
- Maximum recovery of saleable material through the removal of silt, slimes and clays below 75µm (200 mesh)
- Robust easy to assemble steel construction complete with galvanized walkway & handrails providing easy access
- Low maintenance & simple operation with self regulating sump tank
- Pumps & cyclones have replaceable rubber liners for extended wear life
- High frequency dewatering screen reduces residual water content in your final product to 10–15%
- All electric plant pre-wired to control panel or isolators to integrate with other Terex equipment

APPLICATIONS

-  **RECYCLING**
-  **AGGREGATES**



FINESMASTER

FM SuperFines

FM 200 BW SUPERFINES

The Terex® FM Superfines Range is a static fines recovery unit. It brings together on one chassis, centrifugal slurry pump, four hydrocyclones, a collection tank and a 12 x 5 or 14 x 6 dewatering screen. It can produce one grade of sand classifying at approximately 40 micron and is designed to work in conjunction with the TWS range.

FEATURES AND BENEFITS

- Can recover 1 or 2 grades of sand from wet feed or bolt-on boiler box option for direct dry feed
- Ultra efficient cyclones allow maximum recovery of saleable material through the removal of silt, slimes and clays below 40µm (400 mesh)
- Major reduction in fine material discharging to the water management system, thus reducing recovery cycle and cost
- Coarse material processed by bucket wheel, reducing wear on the rubber lined pumps & cyclones
- Low maintenance & simple operation with self regulating sump tank
- High frequency dewatering screen reduces residual water content in your final product to 10–15%
- All electric plant pre-wired to control panel or isolators to integrate with other Terex equipment

APPLICATIONS

-  **RECYCLING**
-  **AGGREGATES**
-  **MINING**



FINESMASTER

FM Bucket Wheel

FM 60 BW / FM 120 BW / FM 200 BW

The Terex® FM Bucket Wheel range of sand classification systems are highly efficient dewatering units.

The unit removes silts, slimes and clays from sand to produce up to 2 saleable products in applications including concrete, mortar and asphalt sands, quarry dust/crushed fines, lake and beach sands, silica sand, golf course sands, filter bed sands, recycled materials and iron ore.

The range combines a dewatering bucket wheel(s), a centrifugal slurry pump, hydrocyclone(s), a collection tank and a dewatering screen on a single chassis.

FEATURES AND BENEFITS

- Can recover 1 or 2 grades of sand from wet feed or bolt-on boiler box option for direct dry feed
- Maximum recovery of saleable material through the removal of silt, slimes and clays below 75µm (200 mesh)
- Variable speed bucket wheel processes 80-90% of material, reducing wear on the rubber lined pumps & cyclones
- Major reduction in fine material discharging to the water management system, thus reducing recovery cycle and cost
- Low maintenance & simple operation with self regulating sump tank
- High frequency dewatering screen reduces residual water content in your final product to 10–15%
- All electric plant pre-wired to control panel or isolators to integrate with other Terex equipment

APPLICATIONS

-  AGGREGATES
-  RECYCLING
-  INDUSTRIAL SANDS



Bucket Wheel Sand Plants

T 150

The Terex® T Range are mobile bucket wheel dewaterers complete with fines retention screw, twin bucket wheel designed units for the removal of clays, silts and slimes to produce up to 2 grades of sand.

The T Range is designed to operate with maximum versatility and can support different requirements such as maximum retention of fines or maximum disposal of fines.

The T Range can be driven hydraulically from the M Range or from its own optional electric power pack.

FEATURES AND BENEFITS

- Can recover 1 or 2 grades of sand from wet feed or bolt-on boiler box option for direct dry feed
- High capacity variable speed twin bucket wheel providing increased drainage time for a drier product
- Deep fluted variable speed fines screw provides excellent fines recovery
- Anti-turbulence inlet boxes and weir discharge system allows consistently calm settling conditions
- Can be powered electrically or can be hydraulically coupled to an m-range mobile screen
- Low running costs, low maintenance & simple operation
- Static or site transportable with jacking legs and towbar

APPLICATIONS

-  AGGREGATES
-  INDUSTRIAL SANDS



Mobile Sand Screw Plants M165S / M166S / M206S

Terex washing systems offer a range of sand screw options to fit your needs. The screens range in size from 5' x 16' to 6' x 20', and are teamed with single or twin dewatering screws. The screens are outfitted with strategically placed nozzles to scrub materials clean.

High capacity dewatering screws deliver the fine aggregates while chutes and cross conveyors deliver the sized products. The portable chassis design is easy to transport to the desired site and easy to set up.

FEATURES AND BENEFITS

- Triple deck inclined screen produces 3 grades of washed aggregate and 1 grade of sand
- Each spraybar has individual flow valves provided for complete water control
- Heavy duty single or twin dewatering screws (36" x 25") for high capacity fines recovery.
- Robust I-beam construction chassis with double or triple axle suspension allowing for easy transportation and quick set-up
- All electric plant pre-wired to control panel or isolators to integrate with other Terex equipment
- Walkway access around three sides of the screen
- Integrated drainage and washout features for easy maintenance



APPLICATIONS

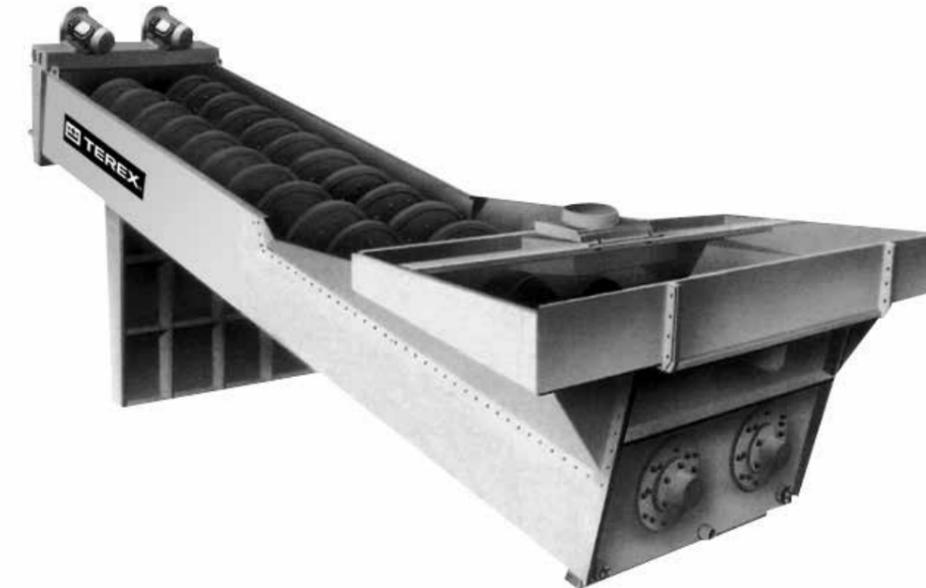
- RECYCLING
- AGGREGATES

Sand Screw Plants SW100 / SW200

The Terex® SW 100 Sandscrew is a single screw fine material washer/classifier/dewaterer. The recommended maximum material size is 3/8" (10mm). The approximate capacity of the SW 100 Sandscrew is 50-100 TPH. The Terex® SW 200 is a twin screw fine material washer/classifier/dewaterer. The recommended maximum material size is 3/8" (10mm). The approximate capacity of the SW 200 Sandscrew is 100-200 TPH.

FEATURES AND BENEFITS

- Heavy duty single or twin dewatering screws (36" x 25") for high capacity fines recovery.
- Robust easy to assemble steel construction
- Independent electric drive on each screw for maximum torque under load
- All electric plant which can easily integrate with other Terex equipment
- Low maintenance & simple operation



APPLICATIONS

- RECYCLING
- AGGREGATES

AggreStac™

The Terex® AggreStac™ is an ideal addition to any Sand or Aggregate processing plant.

This range of Track Mounted diesel powered Stockpiling Conveyors are available in lengths of 50ft, 65ft or 80ft with the capacity to stockpile up to 400TPH. The compact design allows each unit to transport inside one 40ft container with full hydraulic fold out features for set-up.

With hydraulically adjustable feed and discharge heights, and a range of feedboot linings and extensions the AggreStac allows maximum flexibility to integrate into any existing plant set-up.

FEATURES AND BENEFITS

- Self powered diesel hydraulic tracked conveyor
- Full hydraulic set-up, no crane required
- Containerized, track-in/track-out
- Compact folding mechanism allows intact containerisation
- Hydraulic adjustment for variable feed height reduces impact and provides optimal material transfer
- Steel lined feedboot as standard providing extended wear life. Feedboot extensions and rubber lined options also available.
- Hydraulic angle adjustment from 0° to 28° for easy plant integration.
- Fully protected powerunit with easy access for service and maintenance
- Dual-speed tracks for quick and controlled deployment

APPLICATIONS

-  **AGGREGATES**
-  **RECYCLING**
-  **INDUSTRIAL SANDS**
-  **MINING**



With 400mm dual speed tracks as standard the AggreStac offers speed and control during installation across any terrain



Optional feedboot extensions and linings available to suit a variety of applications



With different scraper and secondary guarding options, the AggreStac can be customised to suit various applications in various regions



The fully enclosed powerunit offers maximum protection while allowing easy access for daily maintenance



Containerised,
Track in / Track out.
No crane required.

Conveyors TC 6532 / TC 5036 / TC 5032 / TC 4026

The Terex® TC range of conveyors are an integral part of the Terex Washing Systems product range and are constructed to the same high engineering specification. It's portability and versatility allows it to work in confined spaces and combinations of one, two or three with TWS processing plants.

FEATURES AND BENEFITS

- Capable of handling up to 300tph
- Mobile unit with towbar and road wheels
- Large stockpile capacity
- Manual hand pump for height adjustment
- Detachable pivot stand and towbar

APPLICATIONS

- AGGREGATES
- RECYCLING
- INDUSTRIAL SANDS
- MINING



Conveyors TC 6532L / TC 7532L

The Terex® TC range of conveyors are an integral part of the Terex Washing Systems product range and are constructed to the same high engineering specification. It's portability and versatility allows it to work in confined spaces and combinations of one, two or three with TWS processing plants.

FEATURES AND BENEFITS

- Capable of handling up to 400 tph (441 us tonnes)
- Customized A-Frame to suit any application
- Manual hand pump for height adjustment
- Detachable pivot stand and towbar
- Heavy duty 800mm (32") belt as standard
- Large stockpile capacity

APPLICATIONS

- AGGREGATES
- RECYCLING
- INDUSTRIAL SANDS
- MINING



H RANGE H 9 \ H12 \ H 20 \ H 25

A stand alone hopper designed to provide a constant feed of material to Terex® Washplants. A range of different options are available to suit your requirements.

FEATURES AND BENEFITS

- Heavy-duty robust construction ideal for rugged operating environment
- Can be powered electrically or can be hydraulically coupled to an optional electric Hydraulic Powerpack for complete feed control
- Choice of Hydraulic Tipping Reject Grid or Double Deck Vibrating Grid to suit your application
- Self cleaning grid bars available in a variety of apertures from 75mm up to 200mm
- Hopper Extensions and Liners available for increased capacity and wear resistance
- Intelligent hinged maintenance access
- Integrates seamlessly with other Terex Washing Systems product

OPTIONS

- Impact rollers
- Wear plates
- Adjustable hopper door
- Single & double deck vibrating grid
- Hopper extensions
- Radio control tipping

APPLICATIONS

-  **AGGREGATES**
-  **RECYCLING**
-  **INDUSTRIAL SANDS**
-  **MINING**



WATERPUMPS

FRESH WATER PUMPS

Terex Washing Systems has a dedicated team of engineers focused on developing applications solutions. Our engineers analyse project requirements to help determine equipment and cost efficiency whatever your pumping requirements. Our cast iron pump has a hard face mechanical seal, mounted on a mild steel base and includes an integrated prime tank

FEATURES AND BENEFITS

- Pump at pressures up to 5.5 bar (80 Psi)
- Horizontal close coupled end suction
- Double shrouded single entry radial flow impeller
- Rubber bellows type mechanical seal
- Foot valve & strainer
- Flexible suction – 6m long
- Ease of maintenance
- Low running costs
- Self priming Water tank
- Heavy duty steel construction

VERTICAL SHAFT SLURRY PUMPS

The TWS Vertical shaft slurry pump range provides substantial performance with low power consumption making it one of the lowest running cost pump of its class.

FEATURES AND BENEFITS

- Designed for tough applications, primarily
- Designed for difficult applications requiring agitation to ensure no solids build up
- Large particle size
- High density slurries
- Continuous or “snore” operations
- Integrated impeller agitation vanes prevent sump pump blockage
- With only three major components, fewer assembled parts make for ease of maintenance.
- High wear resistant parts are used to provide long wear life
- No priming required
- No submerged bearings

APPLICATIONS

-  **WATER MANAGEMENT**



Terex Washing Systems offers a complete tailored solution for water treatment and management, including a full range of filter presses, flocculant dosing systems and thickening tanks. Combined this equipment can remove the need for settling ponds.

It is critical that systems are selected appropriate to your specific materials, as requirements can be refined according to your specific needs. This includes qualified sampling and testing to ensure complete peace of mind for performance and the ability to handle inevitable feed variations.

Intelligent automation is common throughout our equipment range and this is particularly relevant to water management systems. The majority of our systems include fully automated control and adjustment of the flocculant dose, according to the amount of suspended solids and settlement time required. This ensures maximum performance even with highly variable feed materials such as recycled sources and eliminates any risk of over-dosage.

Our wide choice of thickener models and formats ensures you are offered the best solution for your individual needs, all with low operational cost and maximum dewatering in mind. Following the thickener you have a choice of filter presses, again depending upon your individual material characteristics and performance needs.

FILTERPRESSES

Filter presses are based on a simple and ancient principle invented by the Romans to press olives and grapes. Today's technology makes it an essential tool for many industries.

Terex Washing Systems filter presses use high pressure pumps in order to squeeze water out of the sludge, recovering up to 95% of the water. Remaining solids are pressed into dry slabs, 'filter cakes', which can be easily handled; ready for reuse or disposal. Filter presses are the ideal complement to wash-plants operating in the aggregates, mining and recycling industries.

FEATURES AND BENEFITS

- 100% Fully Automatic
- High pressure pumps to filter sludge. Produces extremely dry cake.
- Utilising only highest quality components
- Up to 95% recovery of water
- Up to 80% reduction in silt handling and transport costs

THICKENERS

Terex Washing Systems offers a range of Thickener sizes and types to suit a variety of materials and applications. The TWS Applications team balance the client's needs in terms of material type and slurry volume, desired sludge characteristics in order to propose the best thickener for each project.

DEEP CONE THICKENERS

Deep cone thickeners are based on static decantation principles allowing for minimal footprint and virtually no moving parts. The deep cone and cylinder section imparts a greater pressure head on the settled slurry thus producing a higher percentage solids content than that of a standard rake thickener.

FEATURES AND BENEFITS

- Produces thick mud at 50% solids
- Reduced cost for concrete basement
- Extra stock for mud
- Extremely low operating cost
- Non-moving parts
- No extraction pump required
- Low maintenance costs
- Combined thickening and clarification

RAKE THICKENERS

TWS also offers a range of rake style, high rate thickeners which allow for minimal feed height, facilitating gravity feed from upstream cyclone based washing systems.

Rake thickeners are designed specifically to deal with high volumes of slurry. The integral scrapers aid transportation of material from the outskirts of the tank to the outlet, thus accelerating the removal of sludge from the thickener.

FEATURES AND BENEFITS

- Produces sludge with 30 - 40% solids content
- Lower level feed in height
- Can handle high volumes of slurry
- Extra stock for slurry
- Combined thickening and clarification

FLOCCULANT DOSING SYSTEM

TWS flocculant dosing systems control the amount of chemical flocculant required to achieve the most rapid settling times within the thickener tank. The automatic dosing system enables the unit to adjust the flocculant dosage dependent on the feed material and solids content, thus reducing wastage and ensuring the correct dose is added continually.

FEATURES AND BENEFITS

- Automatic dosing system
- Stainless steel construction
- Dry or emulsion based polymer system
- Reduced flocculant consumption by up to 30%





Global Customer Support

Delivering on our promises, so you can keep yours.

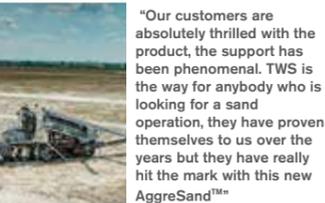
OUR GROWING GLOBAL NETWORK

- 1 West Oahu Aggregate, Hawaii
- 2 Fort Lauderdale, Florida, USA
- 3 Sunrock Quarry, Kittrel, North Carolina, USA
- 4 Readymix, Trinidad
- 5 Dowling Quarries, Ireland
- 6 R. Collard Ltd, England, UK
- 7 Paterson Quarries, Scotland, UK
- 8 J.C. Ball, Hillhead, England, UK
- 9 Santrac, Chambellay, France
- 10 Geddes Group, Scotland, UK
- 11 Lafarge Concrete, England, UK
- 12 Terex Facility India
- 13 Terex Facility Malaysia
- 14 Dubbo Sands, Australia

1



Georgette Silva, President West Oahu Aggregate, Hawaii



John Dixon, President Virginia Sand and Stone, Virginia, USA, Florida Customer Open Day.

3

2



Ravi Singh, Quarry Manager, ReadyMix, Trinidad

4



Mark Keenan, Sales Manager, Powerscreen Mid-Atlantic



Humphry Dowling, Owner Dowling Quarries, Ireland

5

7

8

6

9

10

11

12

13

14



Robert Collard, Managing Director, R. Collard Ltd., England



Patrick Palais, Santrac, Chambellay, France



Tom Paterson, Plant Director, Paterson Quarries, Scotland



Neil Geddes, Plant Director, Geddes Group, Scotland



Kevin Balls, JC Ball, Hillhead, England



Andy Bate, Lafarge Regional Operations Director, Lafarge Concrete, England

12



270 customers attended the very successful India Open Day in May 2015 showcasing the FM60, T150 & Conveyors.

Terex Facility, India



Mardi & Graham Colbran, Owners, Dubbo Sands, NSW, Australia

14



DISTRIBUTOR NETWORK

TWS partners with qualified and respected organisations worldwide to bring our customers the highest levels of sales and after sales service. Acting as the daily face of TWS in the market these local experts enjoy the full support of the Terex® brand and the commercial advantage that it brings. We naturally have high expectations and each new dealer is selected on merit and their ability to pro actively develop business in their territory. Potential distributors must have a proven track record and be able to demonstrate their capacity to market, sell and support premium quality and specialised equipment within our relevant sectors. As part of the Terex® dealer family you can expect our fullest support at every step, from building your TWS business plan to installing your first equipment and for many years to come. These trusted and lasting relationships have made us a true Global leader and have helped drive many of our innovation and product development initiatives.



AUTOMATION & CONTROL

For some material washplants, simplicity is key. In these cases we provide basic 'relay-logic' control panels to control and protect the main components such as motors, pumps and valves. However, when more advanced plants are required, Terex Washing Systems offers fully automated solutions using Programmable Logic Control Systems (PLC) and Human Machine Interfaces (HMIs). All software and hardware is developed in-house by our electrical systems team using strict design, develop and test procedures to help ensure systems are developed in line with all relevant safety standards and exceed customers' expectations in terms of ease of use and performance.

Fully integrated radio control and remote telemetry systems are also available to further simplify and enhance the operation of the plant and provide the customer with real-time data such as operational status, active alarms and tonnage per hour.



Central control panel for typical large washplant installation



Aggresand™ Control Panel



Local machine control panel



H12 Feeder Control Panel



FINANCE SUPPORT FOR YOU

Perhaps the only thing more comprehensive than our vast product line is our wide range of effective finance and leasing solutions, structured to complement customers' cash flow and budgets.

Our team of finance professionals knows the importance of working closely with your customers to understand the unique challenges of their business and their financial goals and requirements. Obtaining financing is often a time consuming task, so we work hard to provide a reliable, flexible and responsive service.

The Terex® Financial Services™ (TFS) team can help assist in all areas of asset management, from the analysis of future equipment values through the disposition of used equipment.

TFS is part of the Terex® family, so you'll work directly with financial professionals who understand your business and can help you get the equipment you need with financial solutions based on your business goals and objectives.



TFS is a one-stop shop for effective financing solutions:

- **Trade-in Programs — we'll work with you to get you out of your existing equipment and into new Terex® equipment**
- **Helping you manage cash flow and conserve working capital**
- **Ownership and lease options**
- **Much, much more**

Build the fleet you want with competitive financing rates, as well as special lease and purchase options from TFS. It's a great way to have the equipment you need while managing your cash flow.

Contact: TWS.sales@terex.com to discuss finance packages available to you





Washing as it
should be

TEREX WASHING SYSTEMS

Headquarters, 200 Coalisland Road, Dungannon, Co. Tyrone, Northern Ireland, BT71 4DR

Tel: +44(0) 28 8771 8500 Email: TWS.Sales@terex.com

www.terex.com/washing  