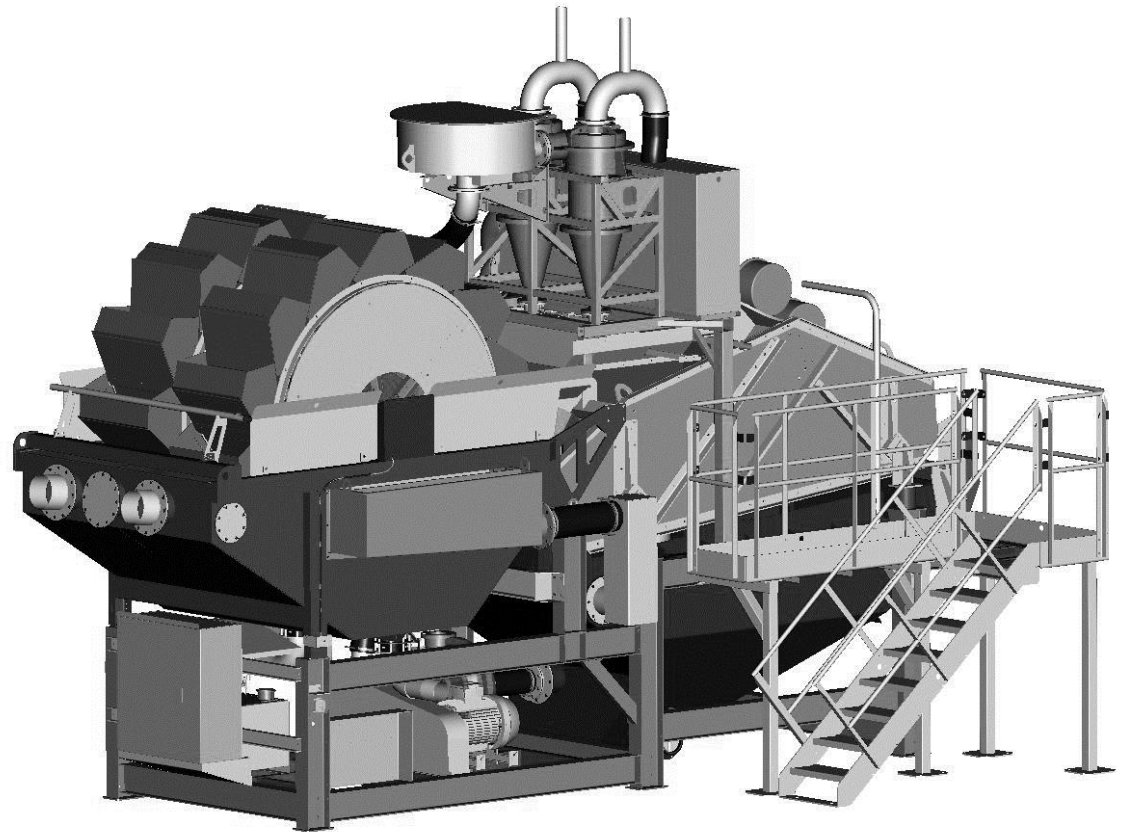


# FM 120 BW



**WASHING AS IT SHOULD BE**

## FEATURES AND BENEFITS

- Static sand recovery unit on one chassis
- Twin bucket wheel
- Centrifugal pump
- Twin hydrocyclones
- Collection tank
- 12 x 5 dewatering screen
- Produce one or two grades of sand
- Designed to work in conjunction with Terex Washing Systems range
- Underflow rubber lined slurry pump
- Double bucket wheel with variable speed control
- Two rubber lined hydrocyclone which classifies at approximately 75 $\mu$ m (200 mesh)
- Self regulating cyclone tank complete with built in float system and anti-turbulence sections
- High frequency 12x5 dewatering screen fitted with polyurethane modular mats
- Weir discharge system which reduces the volume of fines entering the cyclone collection tank
- Collapsible bucket wheel tank for easy transport. (Mobile version)
- Bucket wheel performs 80-90% of the work. This keeps the pump and cyclone size to a minimum
- Reduced pump and cyclone wear
- Reduced overall power requirements
- Reduced running costs
- Maximum recovery of material above 75 $\mu$ m (200 mesh)
- Removes silt, slimes and clays below 75 $\mu$ m (200 mesh)
- Removes water following dewatering operation to 10–15% of residual water content
- Major reduction in saleable material discharging to the pond, thus reducing pond maintenance and saving money
- Heavy-duty robust construction ideal for rugged operating environment
- Low maintenance
- All wear areas rubber lined
- Quick assembly time
- Approx 80-120 tph

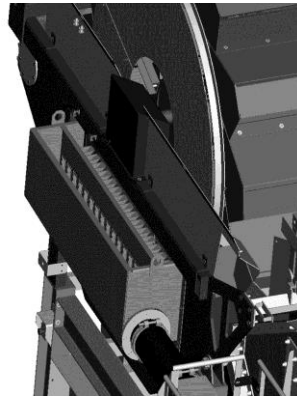
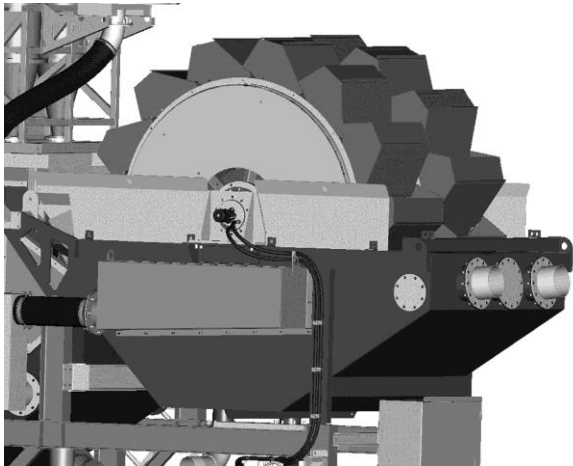
## APPLICATIONS

- All forms of concrete, mortar and asphalt sands
- Quarry dust / crushed fines
- Lake and beach sands
- Silica sand for glass industry
- Golf course sands
- Filter bed sands
- Recycled materials
- Iron ore
- Most materials which need to be washed

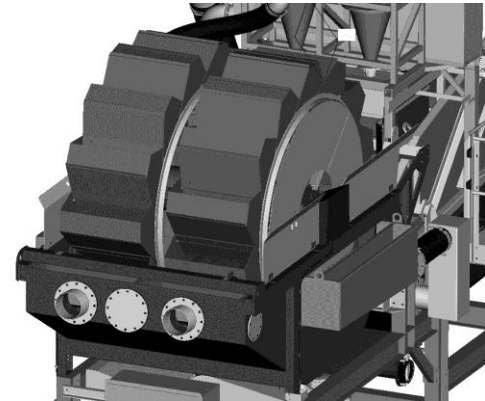
## TYPICAL WATER CONSUMPTION

- 250m<sup>3</sup>/hr

**BUCKET WHEEL**



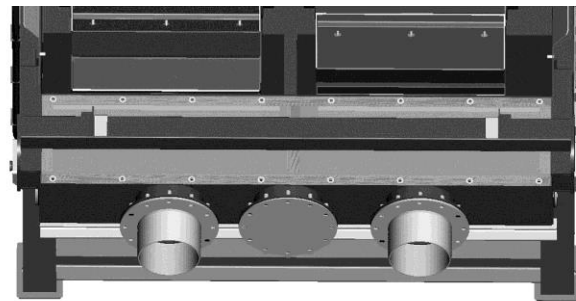
Weir discharge system



Twin buckets allows for two final products



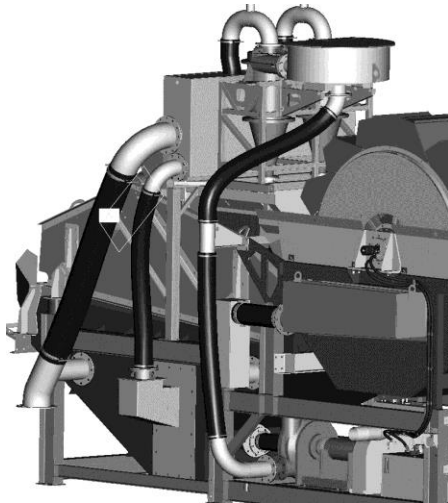
Integrated electric powerpack for bucket wheel speed adjustment



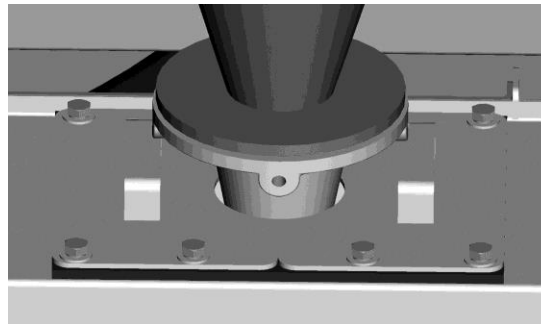
Anti-turbulence inlets in bucket tank

## CYCLONE

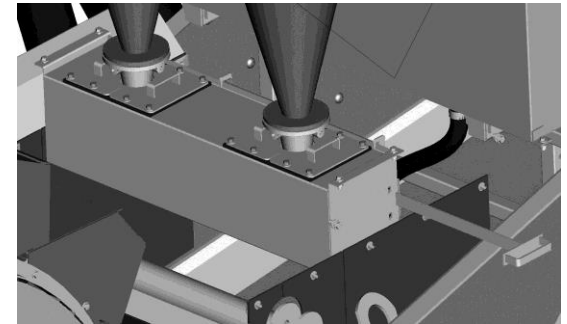
- Two G4 375 extended cyclones
- Spigot discharge
- Pump capacity 250m<sup>3</sup>
- All wear areas rubber lined
- Underflow collection box
- Pressure flange with pressure gauge
- 200mm (8") rubber lined slurry delivery hose
- Extended hydro cyclones for maximum fines recovery



Rubber lined sealed slurry transfer pipe - complete with heavy duty clamps



Rubber lined spigot

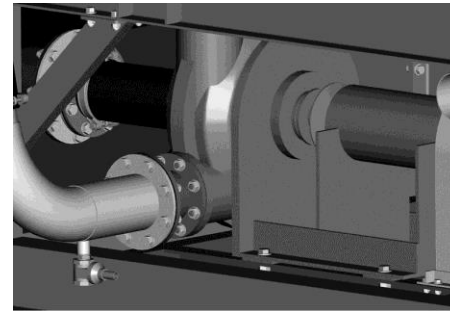
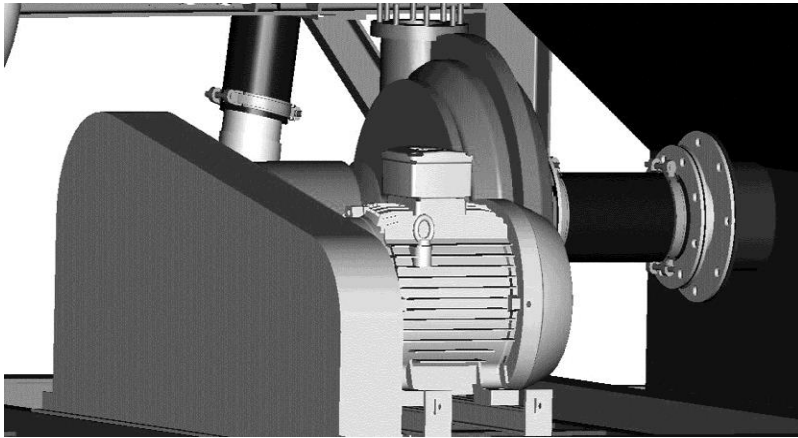


Movable chute to allocate fine material to the coarse product

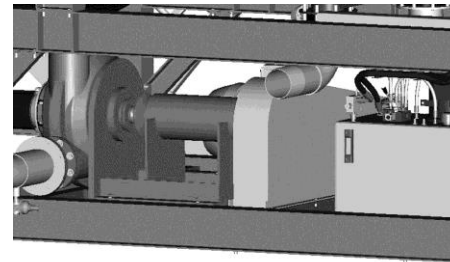


## CENTRIFUGAL PUMP

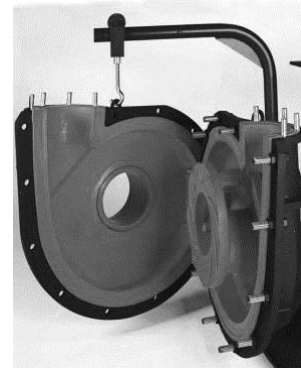
- Size 150/125mm (Heavy duty rubber lined)
- Motor 30kW (40hp) (IE2 Motor)
- Max Working pressure 6 bar
- Typical flow rate 250m<sup>3</sup> (900gpm)
- Abrasion resistant liners
- Moulded rubber impeller
- Excellent serviceability



Pump drain for cold climate applications



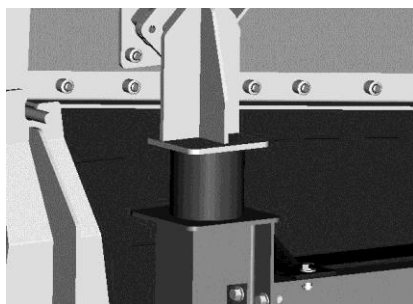
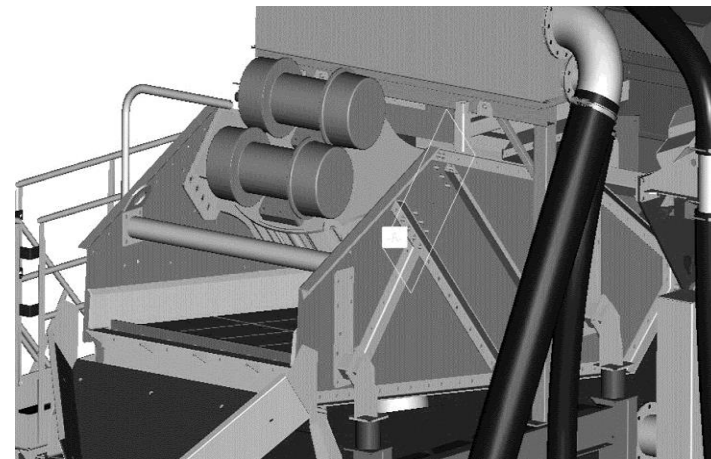
Easy access for ease of maintenance



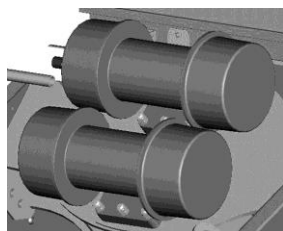
Fully rubber lined for increased wear life

## DEWATERING SCREEN

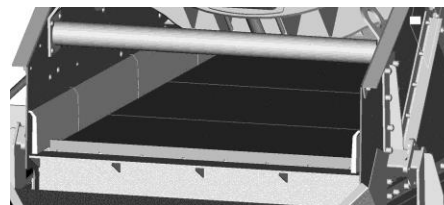
- Size 3.7m x 1.5m (12' x 5')
- Vibratory Motors 4kW (5.5hp)(2off) 960rpm
- Screen Aperture 0.5mm
- Exceptional dewatering performance
- Modular screen decks
- Side protection liners
- Marshmellow® screen mounts for smoother running
- Rubber lined discharge chute



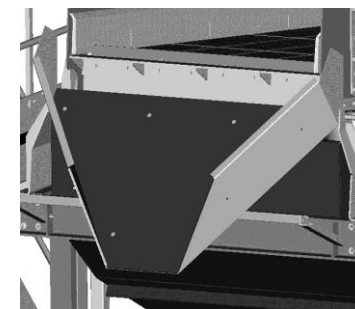
High efficiency rubber screen mount for minimal vibration



Low noise vibrating motor



0.5mm discharge panels fitted to screen



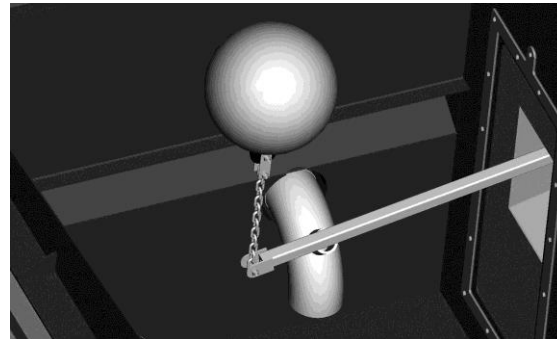
Plastic lined chute

## STATIC CHASSIS

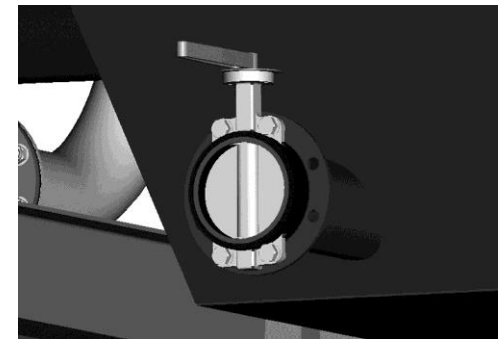
- Self regulating cyclone tank complete with built in float system
- Build in anti-turbulence sections
- Heavy duty steel construction
- Easy access to serviceable areas
- Can be broke down into sections and transported in 1 40ft and 1 20ft container
- Walkway and steps for ease of maintenance
- Collapsible easy build chassis



Walkway and steps for ease of maintenance



Float system for self regulation of tank water level

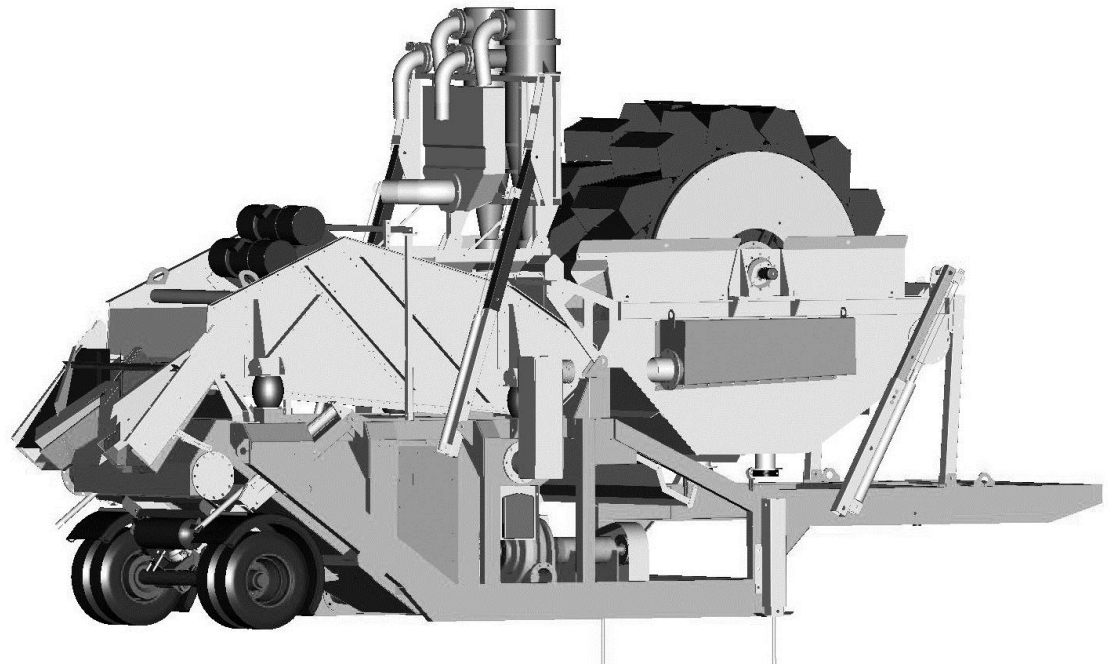


Integrated tank drains for ease of maintenance



## MOBILE CHASSIS

- Self regulating cyclone tank
- Build in anti-turbulence sections
- Heavy duty steel construction
- Easy access to serviceable areas
- Fifth wheel
- Hydraulically raised axle, bucket tank and cyclone frame to allow for easy and quick set-up and transport
- Twin wheel single braking axle



Mobile unit option

## **OPTIONS**

- Double grade product
- Bolt on boiler box
- Control panel
- Mobile chassis with single braking axle and suspension
- Dewatering screen spraybars
- Lighting board on mobile chassis
- Adjustable blending chute