

# AGGRESAND™ 165/206



## FEATURES

- Modular Design For Quick Set-Up
- Automated
- Touch Screen Control
- Pre-Wired & Pre-Plumbed
- Single Water & Electrical Connection Points



AGGREGATES



RECYCLING



INDUSTRIAL SANDS



MINING

# AggreSand™ 165/206

AggreSand™ is a highly versatile integrated washing station with outstanding performance capability across a wide range of materials and the ability to offer up to 5 washed and sized products. Its readily portable format makes it particularly suitable for green-field applications / contractor use / temporary planning permission sites but operators more used to static installations will still appreciate the small footprint and minimal site preparations required. In all cases installation time is significantly less than conventional builds thanks to the high level of factory pre-fitting and connections. The no-compromise design ethos adapted ensures maximum serviceability and performance despite the highly integrated and compact nature of the system with numerous innovative features including easily removed pumps, ready access to screening media and intuitive controls. The range includes numerous modular configurations but all are based around the choice of a 16x5' or 20x6' washing screen and a choice of sand output capacities.

## FEATURES AND BENEFITS

- Up to 3 washed aggregates & 2 washed sands
- Modular design with 'plug and play' electrical connections for quick set-up
- Pre-wired & pre-plumbed with single connection points
- Automated touch screen control providing all-round plant information
- Choice of grid and screen media options to suit your application
- Intelligent low level and easy access features for maintenance and wash down
- Transportable in 4-6 containers

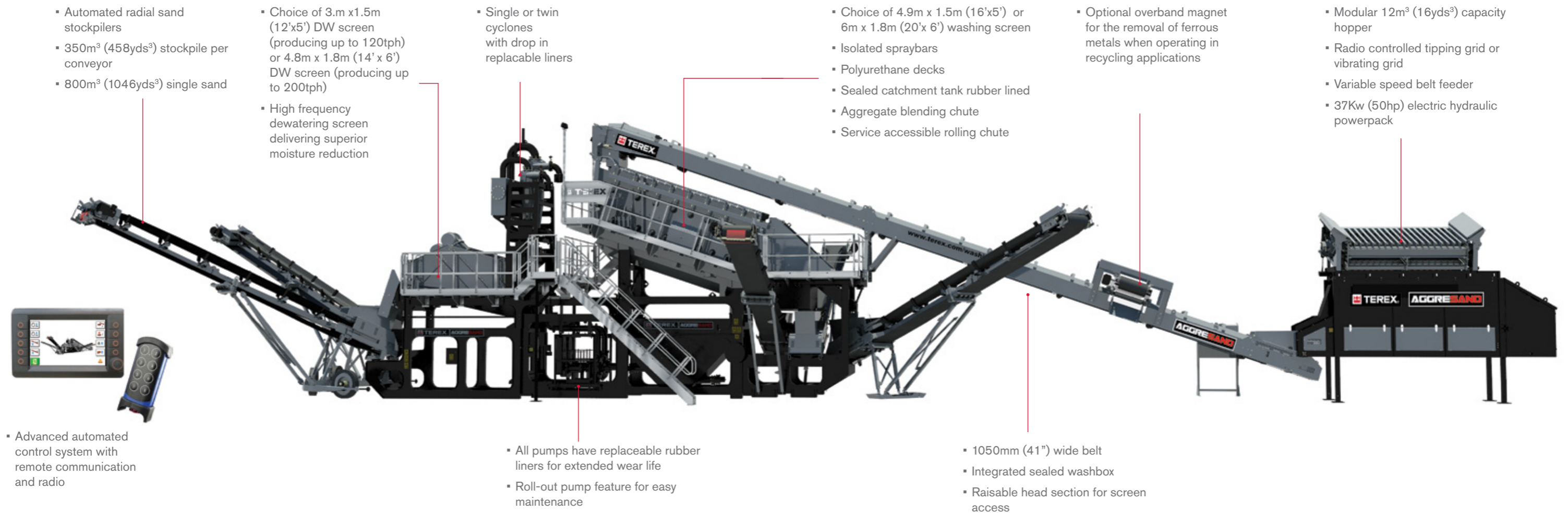
## APPLICATIONS

- AGGREGATES
- RECYCLING
- INDUSTRIAL SANDS



# AggreSand™ 165

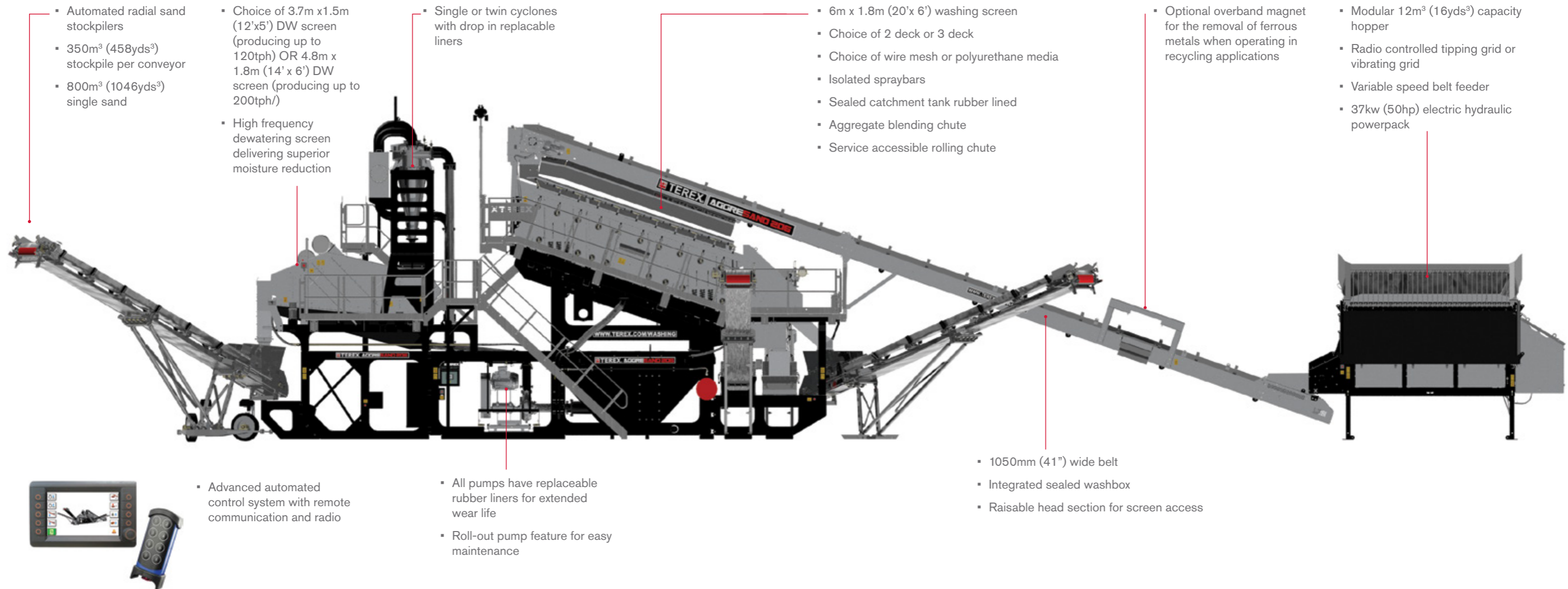
## KEY FEATURES & BENEFITS





# AggreSand™ 206

## KEY FEATURES



- Automated radial sand stockpilers
- 350m<sup>3</sup> (458yds<sup>3</sup>) stockpile per conveyor
- 800m<sup>3</sup> (1046yds<sup>3</sup>) single sand

- Choice of 3.7m x 1.5m (12'x5') DW screen (producing up to 120tph) OR 4.8m x 1.8m (14' x 6') DW screen (producing up to 200tph/)
- High frequency dewatering screen delivering superior moisture reduction

- Single or twin cyclones with drop in replaceable liners

- 6m x 1.8m (20'x 6') washing screen
- Choice of 2 deck or 3 deck
- Choice of wire mesh or polyurethane media
- Isolated spraybars
- Sealed catchment tank rubber lined
- Aggregate blending chute
- Service accessible rolling chute

- Optional overband magnet for the removal of ferrous metals when operating in recycling applications

- Modular 12m<sup>3</sup> (16yds<sup>3</sup>) capacity hopper
- Radio controlled tipping grid or vibrating grid
- Variable speed belt feeder
- 37kw (50hp) electric hydraulic powerpack

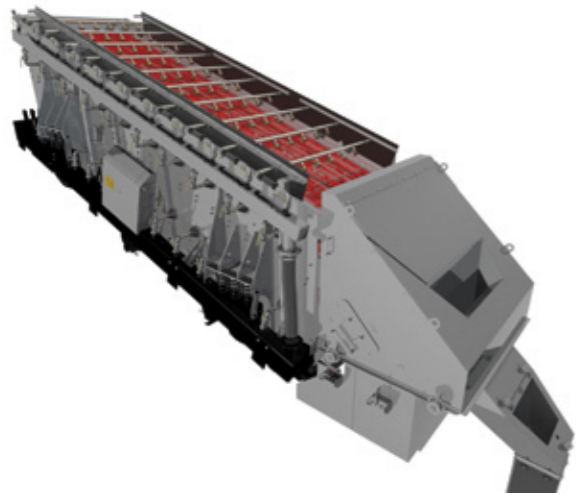
- Advanced automated control system with remote communication and radio

- All pumps have replaceable rubber liners for extended wear life
- Roll-out pump feature for easy maintenance

- 1050mm (41") wide belt
- Integrated sealed washbox
- Raisable head section for screen access

## AGGREGATE SCREEN

- AggreSand 165 - 16' x 5' (4.9 x 1.5m) Screen
- Aggresand 206 - 20' x 6' (6m x 1.8m) Screen
- 2 or 3 deck screen box option
- Mesh deck as standard, polyurethane modular decks as option
- Electrically driven
- Optimum 18 degree working angle
- Independently controlled isolated spray bars: 10 top deck, 8 middle deck, 8 bottom deck, complete with fan tail plastic nozzles
- Enclosed rubber lined wash box complete with independently controlled spray bar
- Lined rolling chute arrangement complete with blending capabilities
- Rubber lined catch box (complete with 1/3-2/3 rubber lined division plate for dual sand models)
- Rubber lined discharge chutes
- HMI Pressure sensor on water manifold



## CENTRE CHASSIS

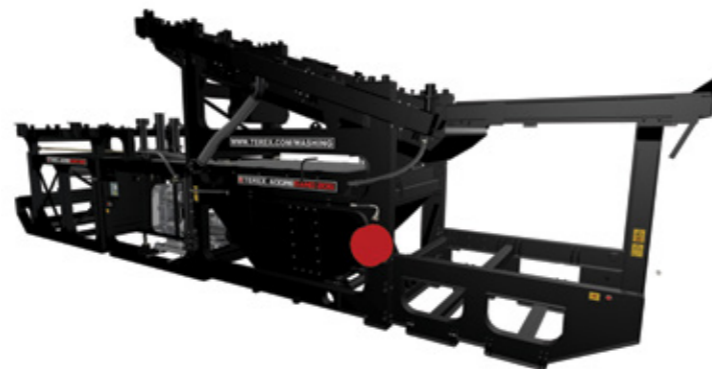
- Heavy duty, modular webflagwe chassis
- Rubber lined slurry pump(s) situated upon roll out maintenance platforms
- Rubber or ceramic lined bends
- Water connection
- Large volume self regulating sump tank
- Split tank for double grade (double grade only)
- Large inspection doors (both sides on double grade)
- Tank drain (both sides on double grade)
- Anti-turbulence baffle plates

## SAND PLANT

- Aggresand™ 165 - High frequency 3.7m x 1.5m (12' x 5') dewatering screen - dewatering up to 120TPH of sand
- Aggresand™ 206 - High frequency 4.3m x 1.8m (14' x 6') dewatering screen - dewatering up to 200TPH of sand
- Polyurethane modules and side protection bars
- Moulded central division plate (double grade only)
- Catch box for screen underflow
- Single or twin cyclones with drop in replaceable liners
- Rubber or ceramic lined inlet bends
- Rubber lined underflow boxes - c/w quick release lids
- Rubber lined blending box - c/w quick release lids (double grade only)
- Polyethylene wear lining in discharge chute
- Adjustable discharge blending chute – double grade only
- Electrical monitoring of cyclone inlet pressure



- Replaceable rubber lined wear plates on feed area
- Plant wash down hose on retractable reel (option)



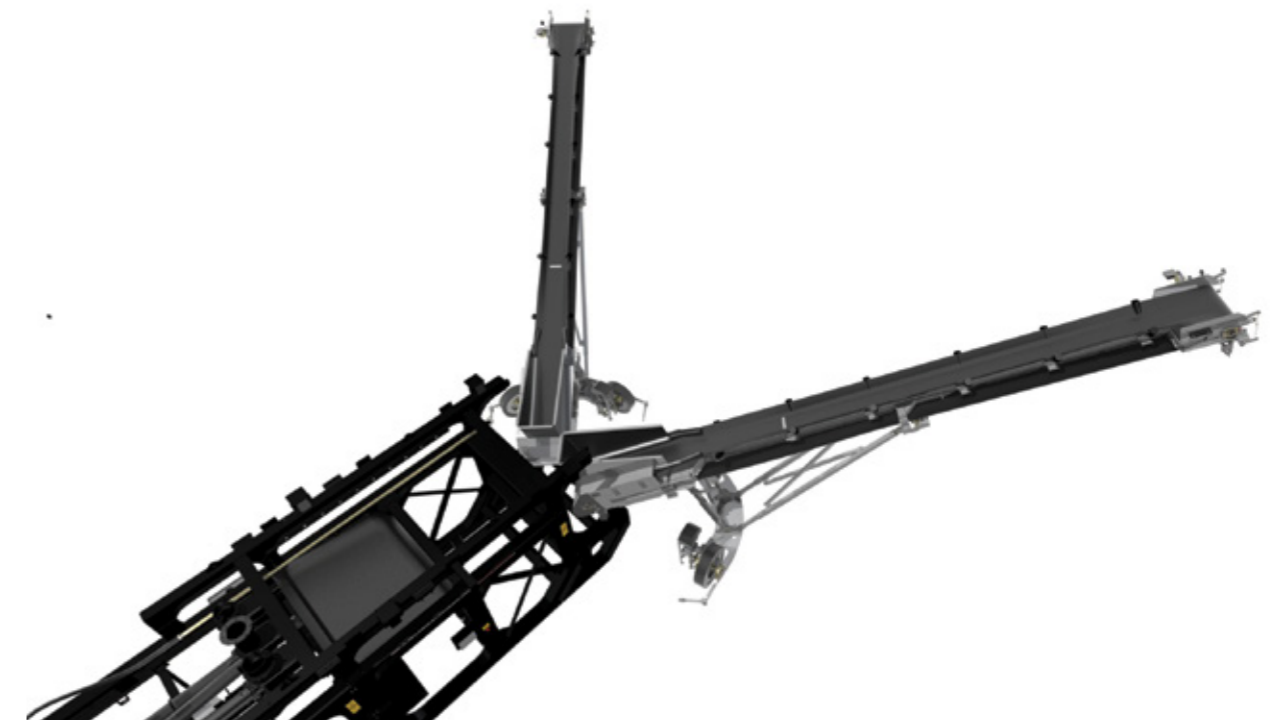
## FEEDER

- Modular 12m<sup>3</sup> (16yds<sup>3</sup>) capacity hopper
- Radio controlled tipping grid or vibrating grid
- Variable speed belt feeder
- 37kW (50hp) electric hydraulic powerpack



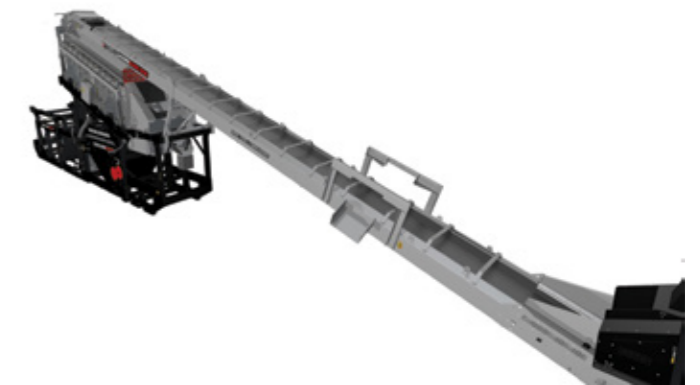
## AGGREGATE CONVEYORS

- Reconfigurable side conveyors (left or right)
- Plain 26" (660mm) wide belt
- 18 degree angle
- High quality tungsten tip scraper on mid-fines conveyor
- High quality PU scraper on mid-overs and over size conveyor
- Direct drive electric gearbox
- 9.3m (30' 5") long
- 4.1m (13' 5") discharge height
- 3 deck oversize conveyor can discharge to right or left side



## CONVEYOR

- 1050mm (41") wide belt
- Integrated sealed washbox
- Raisable head section for screen access
- Optional overband magnet for the removal of ferrous metals when operating in recycling applications



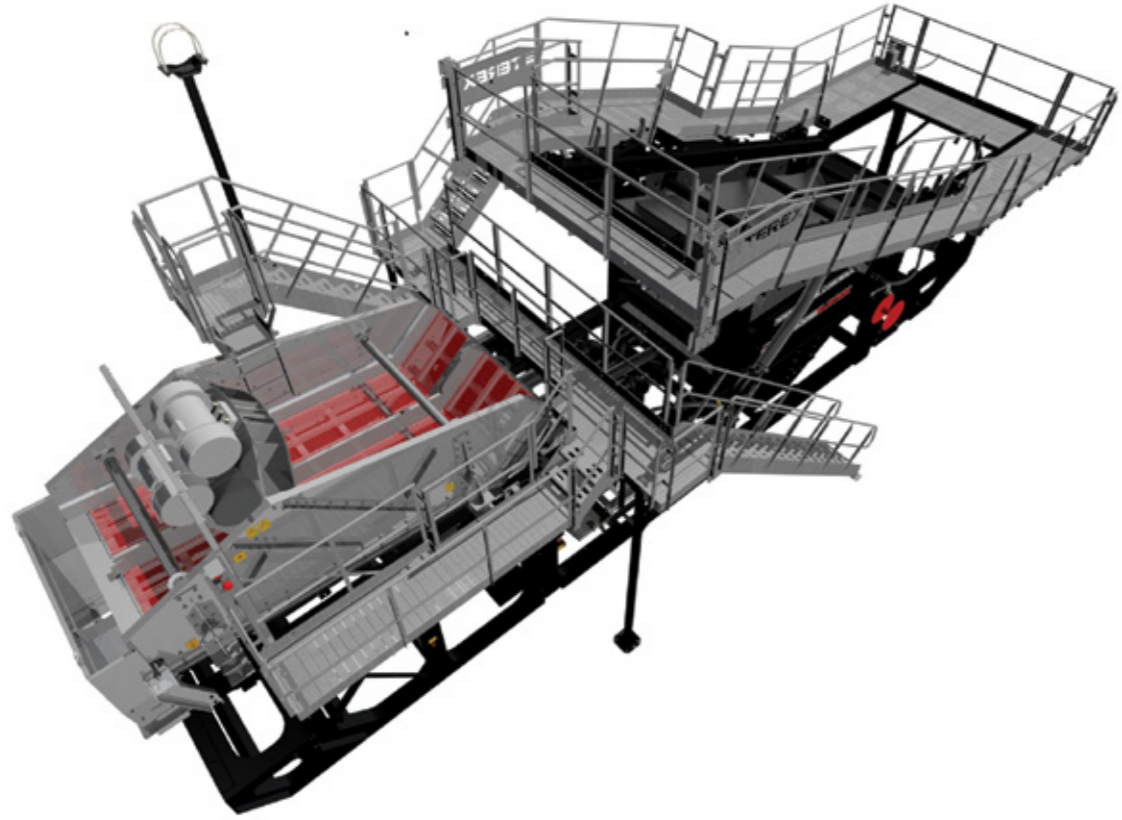
## SAND CONVEYORS

- Rigid – folded for transport
- Radial – wheel drive as standard
- Plain 26" (660mm) wide belt
- 20° angle
- High quality PU scrapers
- Direct drive electric gearbox
- 9.3m (30' 5") long
- 4.9m (16' 1") discharge height



## ACCESS

- Galvanised access platforms & guard rails
- Access around both sides of machine
- Expanded metal walkway floors
- 600mm (24") wide (minimum)
- Optional de-watering screen process

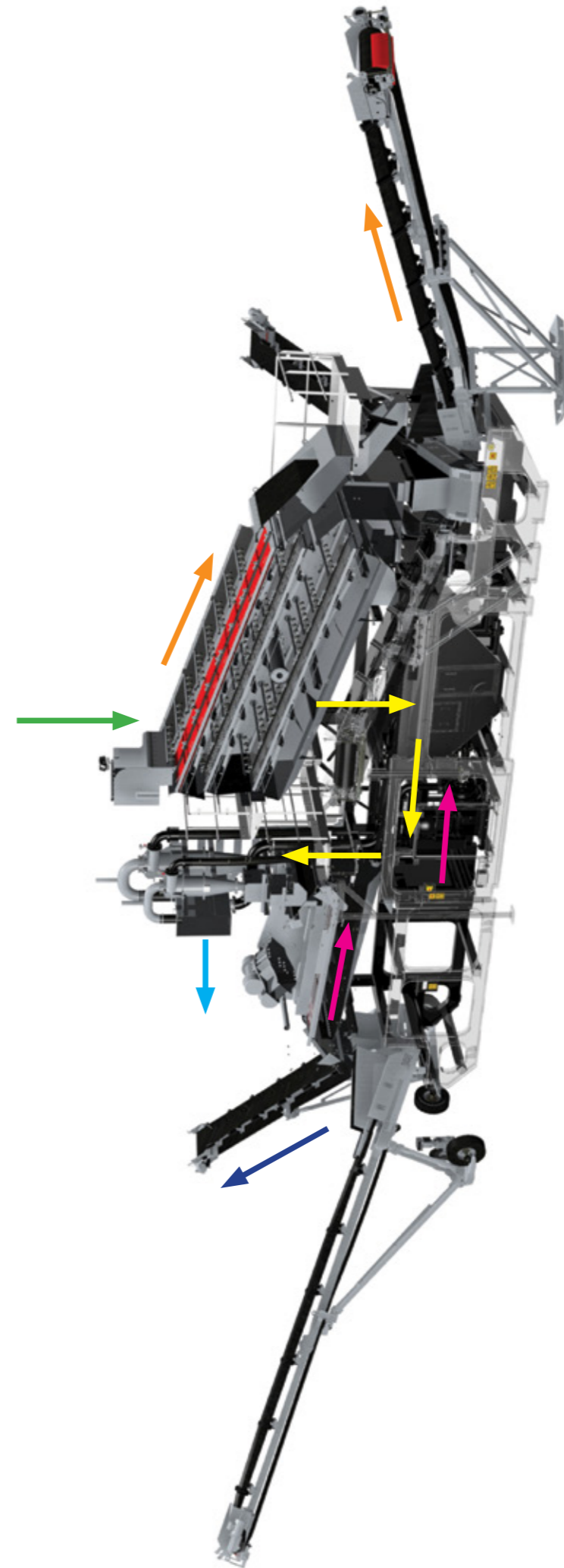


## CONTROL SYSTEM

- Robust full color graphic HMI (Human Machine Interface)
- Automated start / Stop sequence of all plant items
- Automated sequence shutdown on fault detection
- On-screen display of all key parameters inc:
  - Inlet water Flow
  - Cyclone pressure
  - Hydraulic oil level and temperature
- All motors load currents and voltages
- Radio control of
  - Plant start / stop
  - Feeder start / stop
  - Sand conveyor radial drive
  - Tipping grid raise / lower
  - Plant lighting on / off



## AGGRESAND FLOW



### KEY

- ↑ Raw material fed from feed conveyor
- ↑ Washed aggregate for stockpile
- ↑ Slurry (sand & water)
- ↑ Dewatered sand for stockpiling
- ↑ Cyclone overflow to water treatment (water & silt)
- ↑ Dewatering screen underflow back to sump tank

## TECHNICAL INFORMATION

SCREEN BOX	2 AGG, 2 SAND	3 AGG, 2 SAND	2 AGG, 1 SAND	3 AGG, 1 SAND
Screening area	4.9m x 1.5m (16'x5")	4.9m x 1.5m (16'x5")	4.9m x 1.5m (16'x5")	4.9m x 1.5m (16'x5")
Number of decks	2	3	2	3
Power required	15kW (20hp)	15kW (20hp)	15kW (20hp)	15kW (20hp)
Mounting	Spring	Spring	Spring	Spring
Screen bearings	2 bearing	2 bearing	2 bearing	2 bearing
Max spraybar water throughput @ 2 bar	235m³/hr	340m³/hr	235m³/hr	340m³/hr

### SAND PLANT - STANDARD CAPACITY (120TPH)

Dewatering screen	3.7m x 1.5m (12'x5")	3.7m x 1.5m (12'x5")	3.7m x 1.5m (12'x5")	3.7m x 1.5m (12'x5")
Screen power required	8kW (11hp)	8kW (11hp)	8kW (11hp)	8kW (11hp)
Fines cyclone	1 x T375	1 x T375	1 x T660	1 x T660
Fines pump	150/125 - 15kW (20hp)	150/125 - 15kW (20hp)	200/150 - 30kW (40hp)	200/150 - 30kW (40hp)
Coarse cyclone	1 x T500	1 x T500	-	-
Coarse pump	200/150 - 22kW (29.5hp)	200/150 - 22kW (29.5hp)	-	-

### SAND PLANT - HIGH CAPACITY (200TPH)

Dewatering screen	4.3m x 1.8m (14'x6")	4.3m x 1.8m (14'x6")	4.3m x 1.8m (14'x6")	4.3m x 1.8m (14'x6")
Screen power required	12.4kW (16.5hp)	12.4kW (16.5hp)	12.4kW (16.5hp)	12.4kW (16.5hp)
Fines cyclone	1 x T500	1 x T500	2 x T660	2 x T660
Fines pump	200/150 - 22kW (29.5hp)	200/150 - 22kW (29.5hp)	250/200 - 45kW (60hp)	250/200 - 45kW (60hp)
Coarse cyclone	1 x T660	1 x T660	-	-
Coarse pump	200/150 - 30kW (40hp)	200/150 - 30kW (40hp)	-	-

### STOCKPILE CONVEYORS

Quantity	4	5	3	4
Length	9.3m	9.3m	9.3m	9.3m
Belt width	650mm (26")	650mm (26")	650mm (26")	650mm (26")
Belt type	650mm EP315 3 ply plain x 3+1.5 covers	650mm EP315 3 ply plain x 3+1.5 covers	650mm EP315 3 ply plain x 3+1.5 covers	650mm EP315 3 ply plain x 3+1.5 covers
Stockpile capacity - sand	350m³	350m³	800m³	800m³
Stockpile capacity - aggregate	100m³	100m³	100m³	100m³
Power required	4 x 4kW (5hp)	5 x 4kW (5hp)	3 x 4kW (5hp)	4 x 4kW (5hp)
Radial wheel drive power requirements	2 x 0.37kW (0.5hp)	2 x 0.37kW (0.5hp)	1 x 0.37kW (0.5hp)	1 x 0.37kW (0.5hp)

### POWER AND WATER REQUIREMENT

Typical power requirements - standard sand plant	124.9kW (168hp)	128.9kW (173hp)	113.6kW (152hp)	117.6kW (158hp)
Typical power requirements - high capacity sand plant	139.9kW (188hp)	143.9kW (193hp)	128.6kW (172hp)	132.6kW (178hp)
Water requirements - standard sand plant	250-350m³/hr	250-350m³/hr	250-350m³/hr	250-350m³/hr
Water requirements - high capacity sand plant	250-500m³/hr	250-500m³/hr	250-500m³/hr	250-500m³/hr

## TECHNICAL INFORMATION

SCREEN BOX	2 AGG, 2 SAND	3 AGG, 2 SAND	2 AGG, 1 SAND	3 AGG, 1 SAND
Screen box				
Screening area	6m x 1.8m (20'x6")	6m x 1.8m (20'x6")	6m x 1.8m (20'x6")	6m x 1.8m (20'x6")
Number of decks	2	3	2	3
Power required	22kW (30hp)	22kW (30hp)	22kW (30hp)	22kW (30hp)
Mounting	Spring	Spring	Spring	Spring
Screen bearings	2 bearing	2 bearing	2 bearing	2 bearing
Max spraybar water throughput @ 2 bar	268m³/hr	400m³/hr	268m³/hr	400m³/hr

### SAND PLANT

Dewatering screen	4.3m x 1.8m (14'x6")	4.3m x 1.8m (14'x6")	4.3m x 1.8m (14'x6")	4.3m x 1.8m (14'x6")
Screen power required	12.4kW (16.5hp)	12.4kW (16.5hp)	12.4kW (16.5hp)	12.4kW (16.5hp)
Fines cyclone	1 x T500	1 x T500	2 x T660	2 x T660
Fines pump	200/150 - 22kW (29.5hp)	200/150 - 22kW (29.5hp)	250/200 - 45kW (60hp)	250/200 - 45kW (60hp)
Coarse cyclone	1 x T660	1 x T660	-	-
Coarse pump	200/150 - 30kW (40hp)	200/150 - 30kW (40hp)	-	-

### STOCKPILE CONVEYORS

Quantity	4	5	3	4
Length	9.3m	9.3m	9.3m	9.3m
Belt width	650mm (26")	650mm (26")	650mm (26")	650mm (26")
Belt type	650mm EP315 3 ply plain x 3+1.5 covers	650mm EP315 3 ply plain x 3+1.5 covers	650mm EP315 3 ply plain x 3+1.5 covers	650mm EP315 3 ply plain x 3+1.5 covers
Stockpile capacity - sand	350m³	350m³	800m³	800m³
Stockpile capacity - aggregate	100m³	100m³	100m³	100m³
Power required	4 x 4kW (5hp)	5 x 4kW (5hp)	3 x 4kW (5hp)	4 x 4kW (5hp)
Radial wheel drive power requirements	2 x 0.37kW (0.5hp)	2 x 0.37kW (0.5hp)	1 x 0.37kW (0.5hp)	1 x 0.37kW (0.5hp)

### POWER AND WATER REQUIREMENT

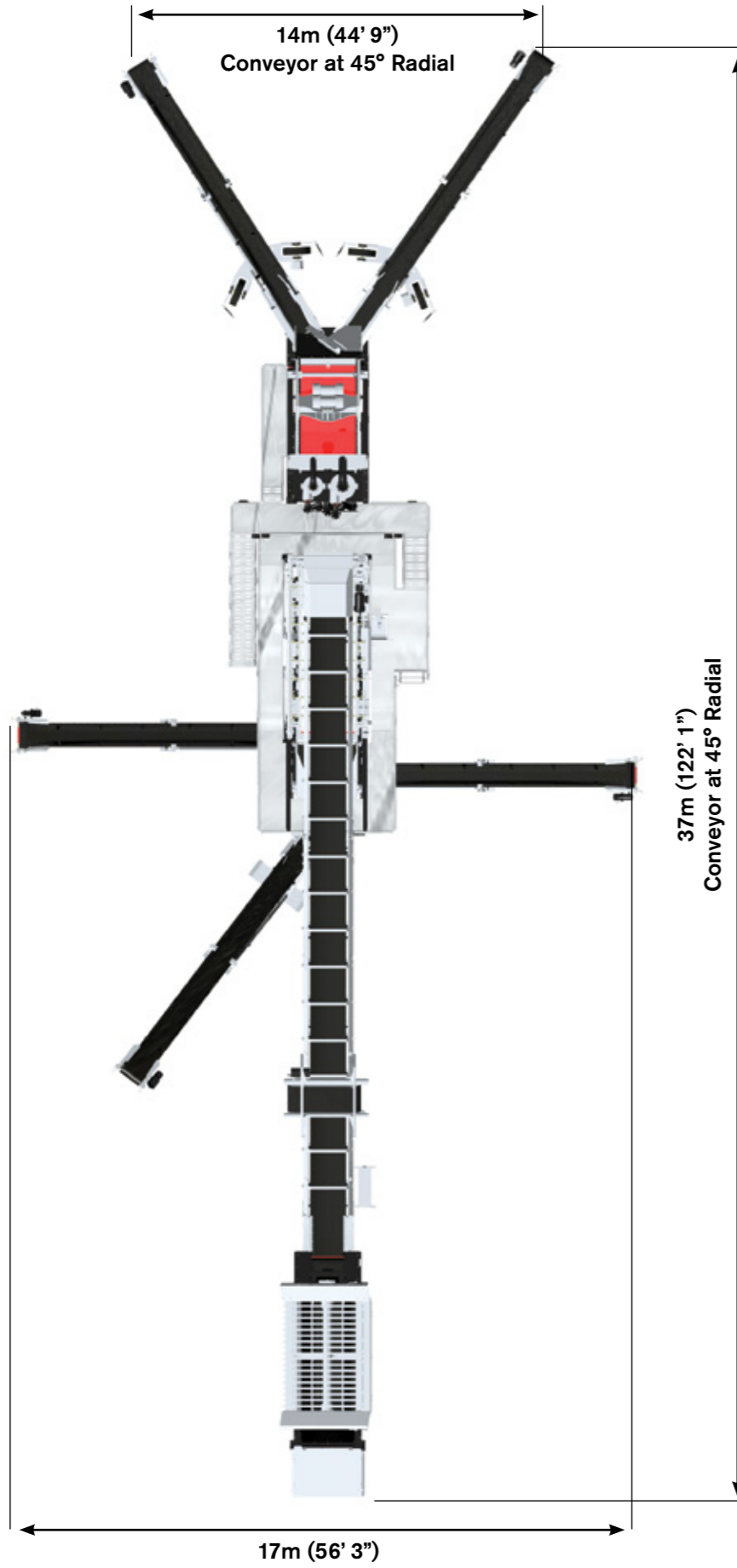
Typical power requirements	162.3kW (218hp)	166.3kW (223hp)	154.5kW (207hp)	157.5kW (211hp)
Water requirements	250-500m³/hr	250-500m³/hr	250-500m³/hr	250-500m³/hr

## FEED SYSTEM (OPTIONAL)

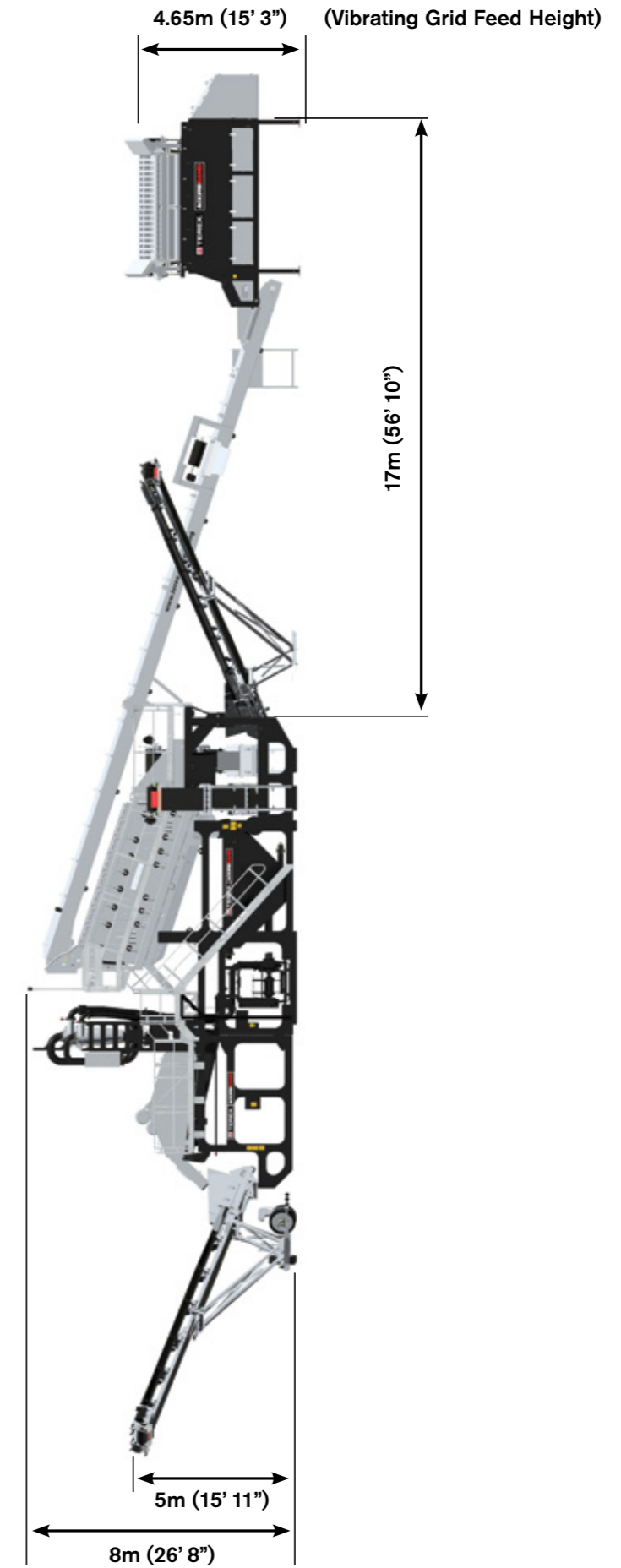
	AGGRESAND™ 165	AGGRESAND™ 206
<b>HOPPER</b>		
Capacity	12m³	
Grid spacing	100mm (4")	
<b>2 DECK VIBRATING GRID</b>		
Working angle	10-20°	
Tipping angle	45° max	
Motor (Hydraulic)	59cc/rev	
<b>POWERPACK</b>		
Motor size - all options	37kW (50hp)	
Hydraulic pump capacity	46cc/33cc/33cc	
Oil cooler motor size	0.18kW (0.24hp)	
<b>FEED CONVEYOR</b>		
Length	18.7m	22.7m
Belt	1050mm (42")	1050mm (42")
Conveyor drive power	11kW (15hp)	2 x 11kW (15hp)
Overband magnet (option)	1.5kW (2hp)	1.5kW (2hp)

# DIMENSIONS

AGGRESAND™ 165 WORKING DIMENSIONS (WITH FEED SYSTEM)  
STANDARD CAPACITY SAND PLANT



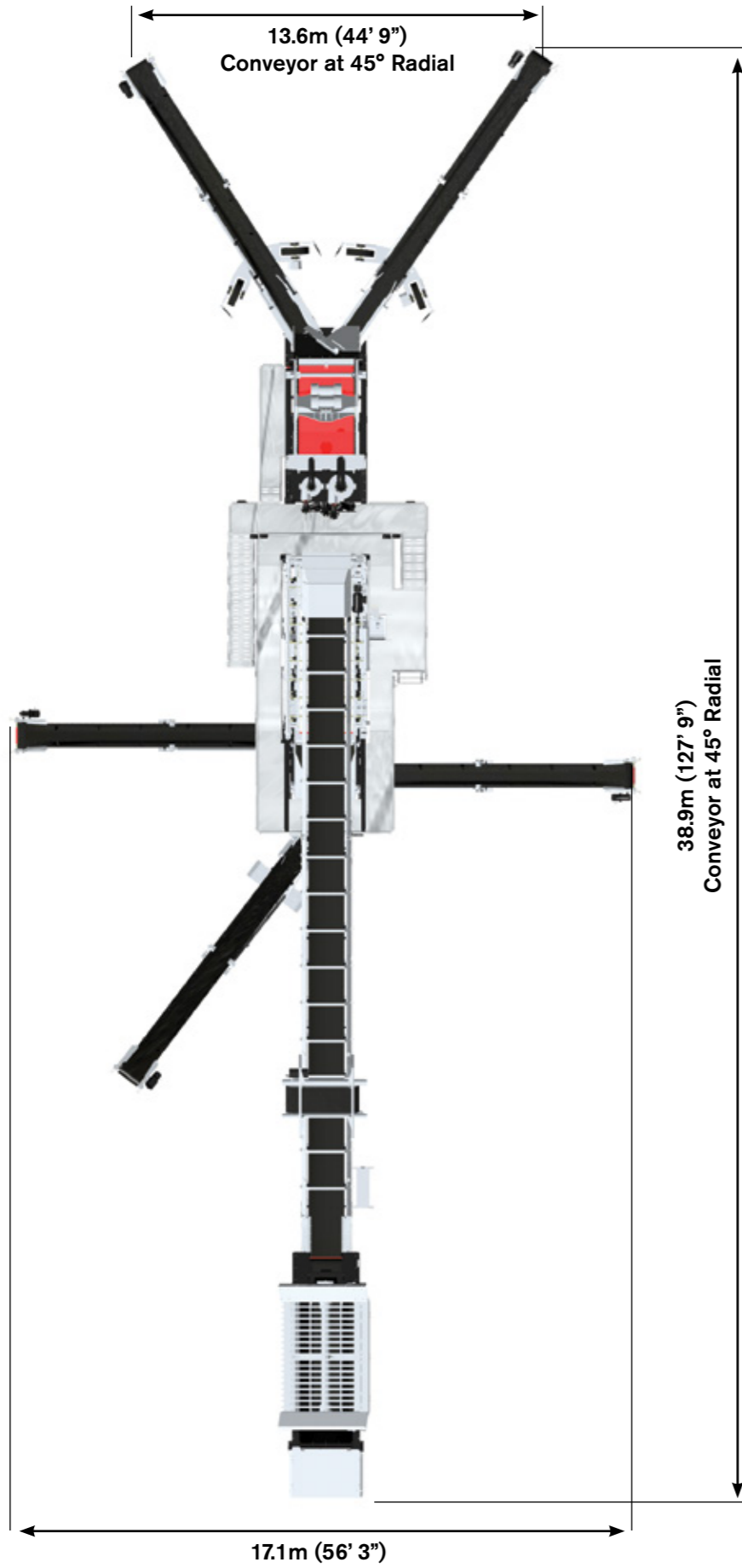
AGGRESAND™ 165 WORKING DIMENSIONS (WITH FEED SYSTEM)  
STANDARD CAPACITY SAND PLANT



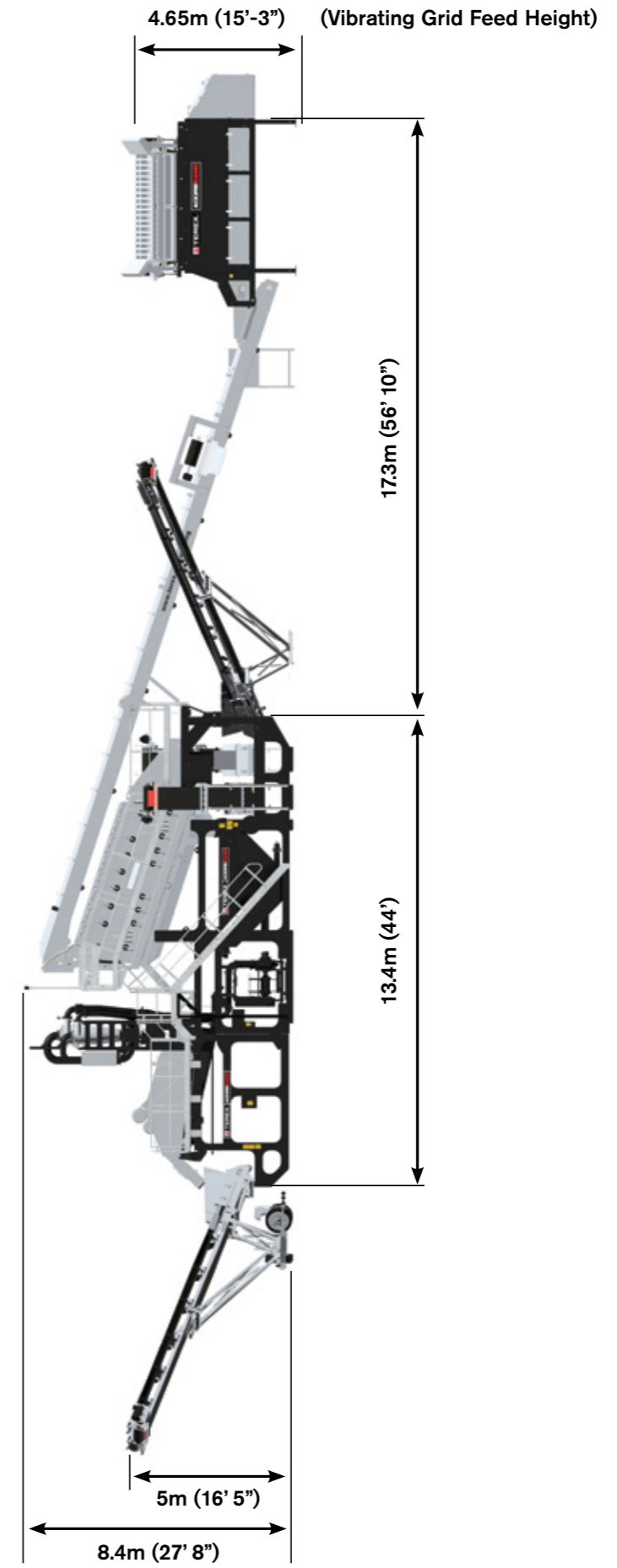


# DIMENSIONS

AGGRESAND™ 165 WORKING DIMENSIONS (WITH FEED SYSTEM)  
HIGH CAPACITY SAND PLANT

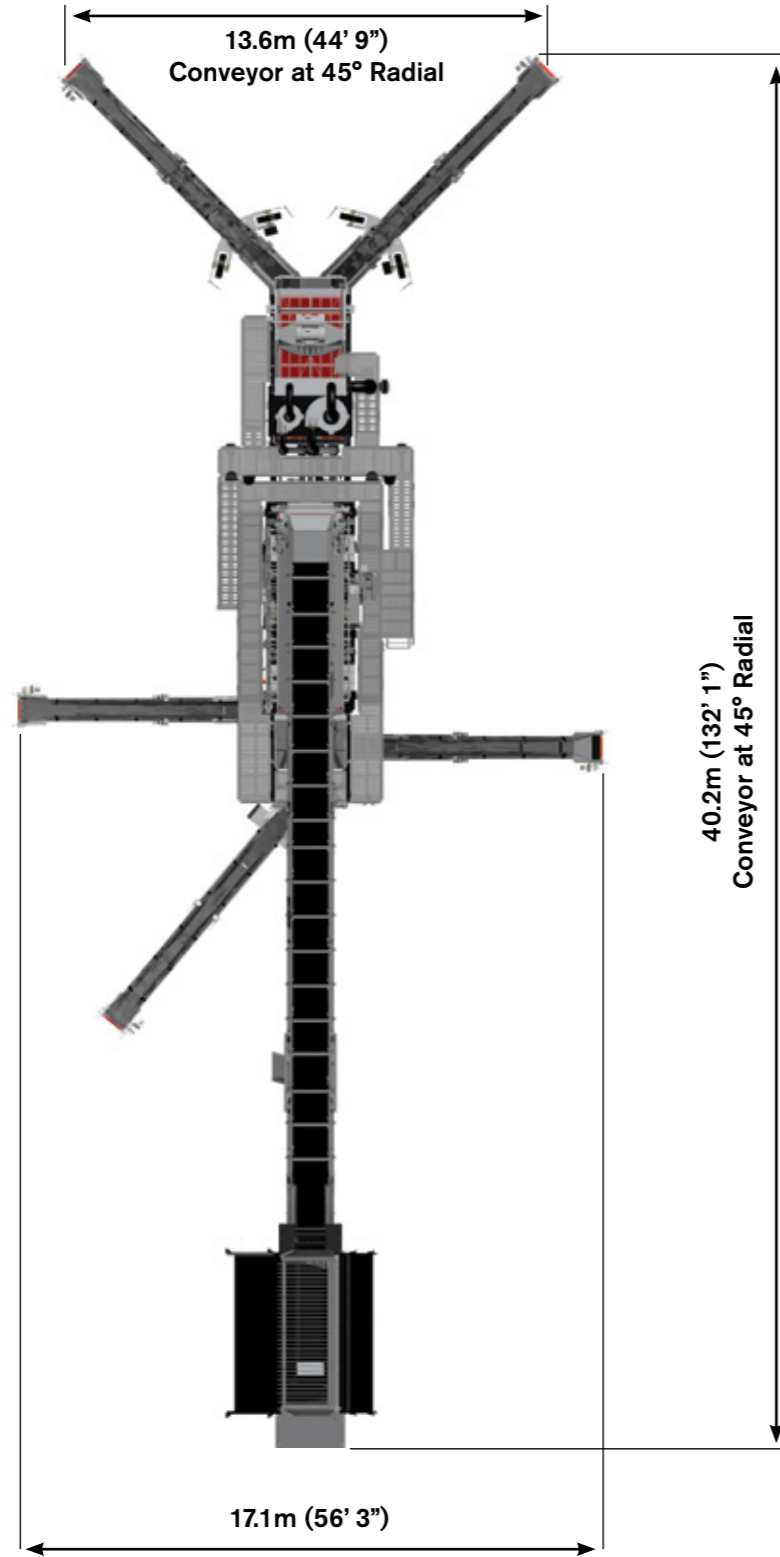


AGGRESAND™ 165 WORKING DIMENSIONS (WITH FEED SYSTEM)  
HIGH CAPACITY SAND PLANT

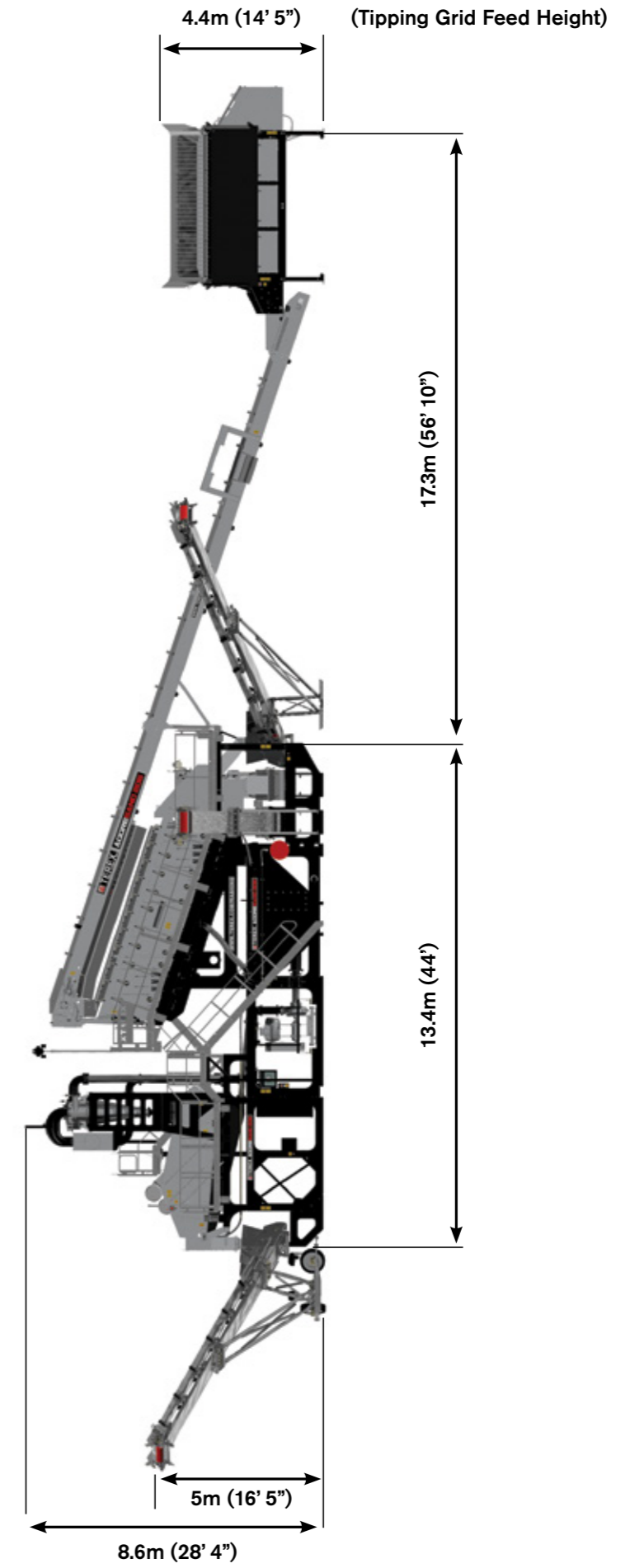


# DIMENSIONS

AGGRESAND™ 206 WORKING DIMENSIONS (WITH FEED SYSTEM)  
HIGH CAPACITY SAND PLANT

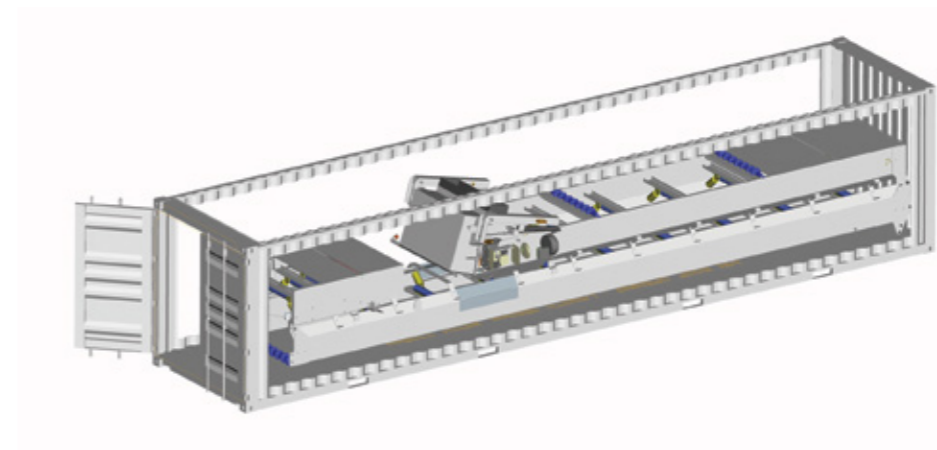
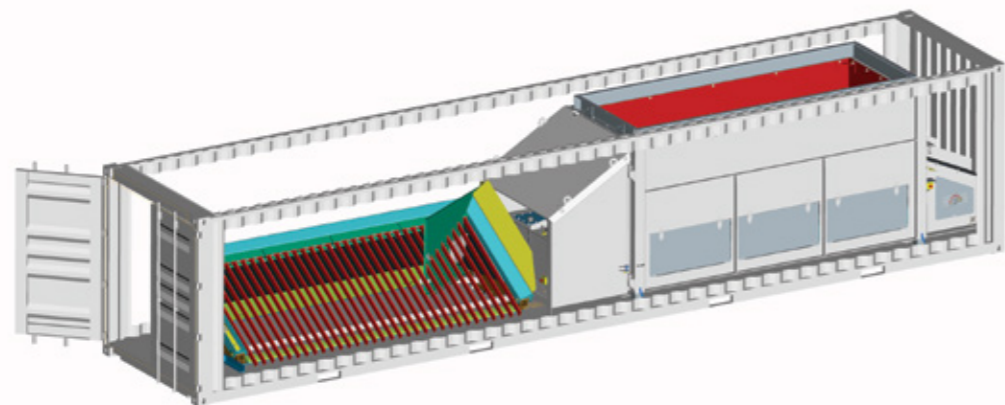
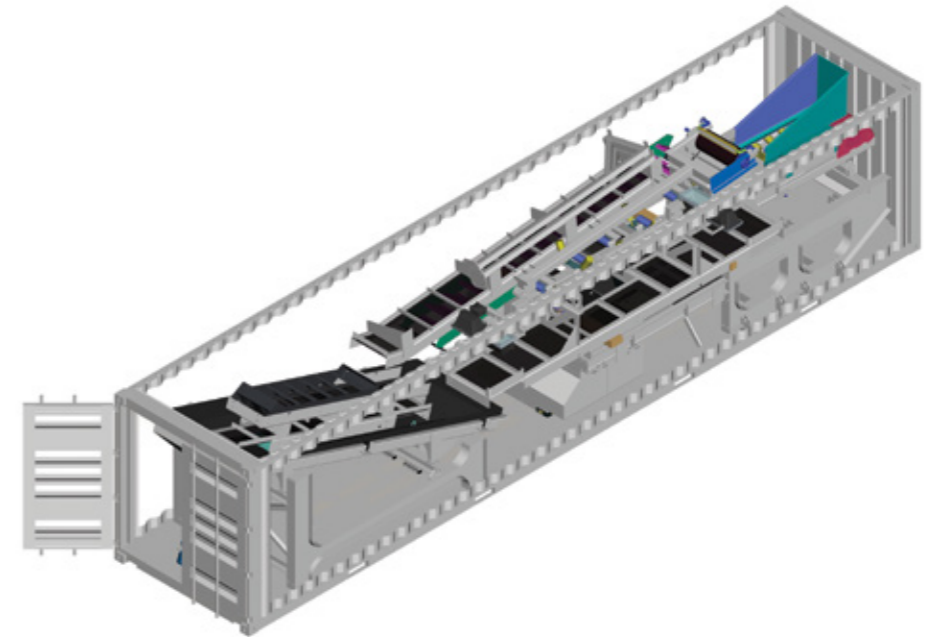
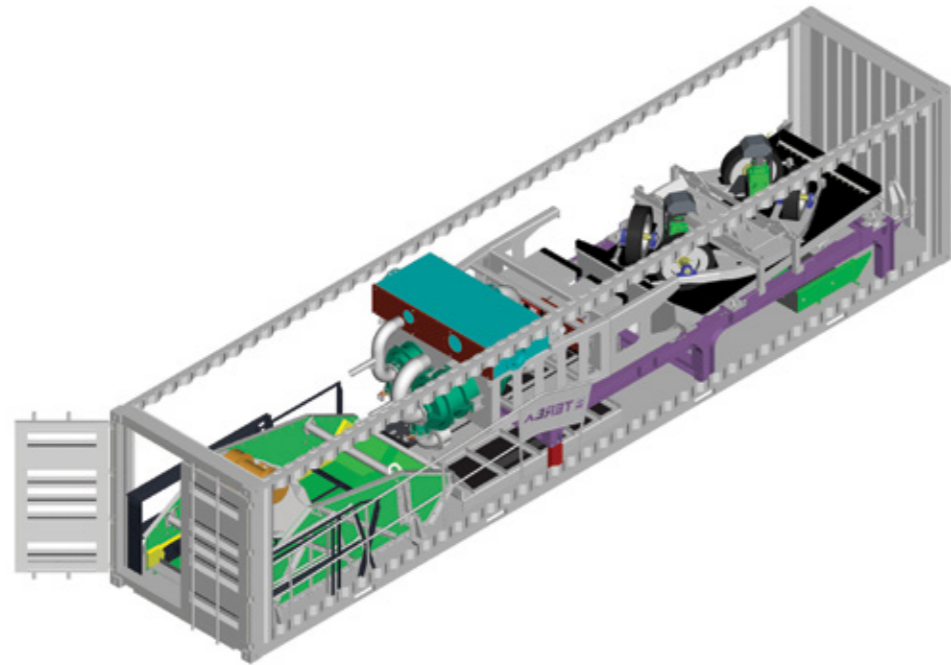
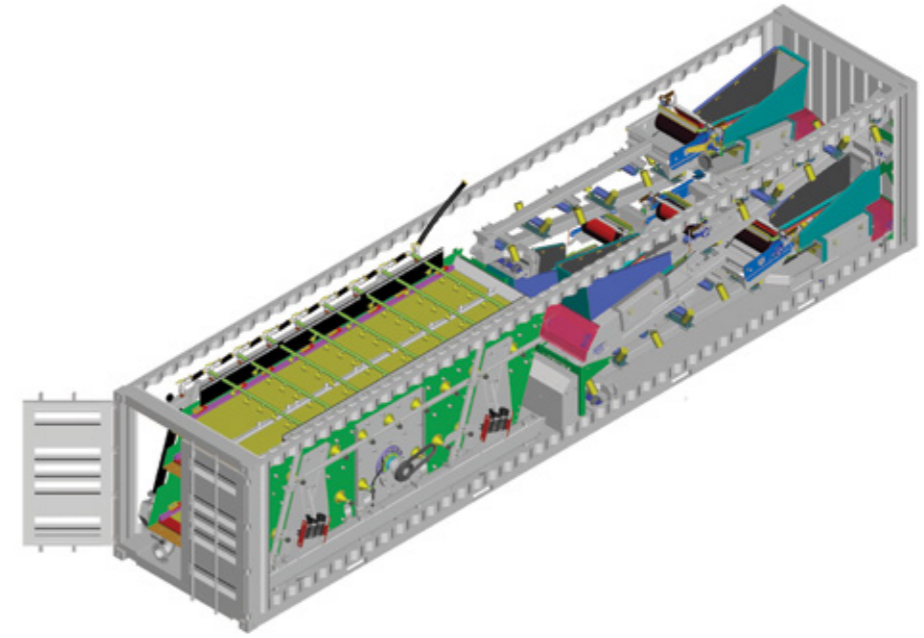
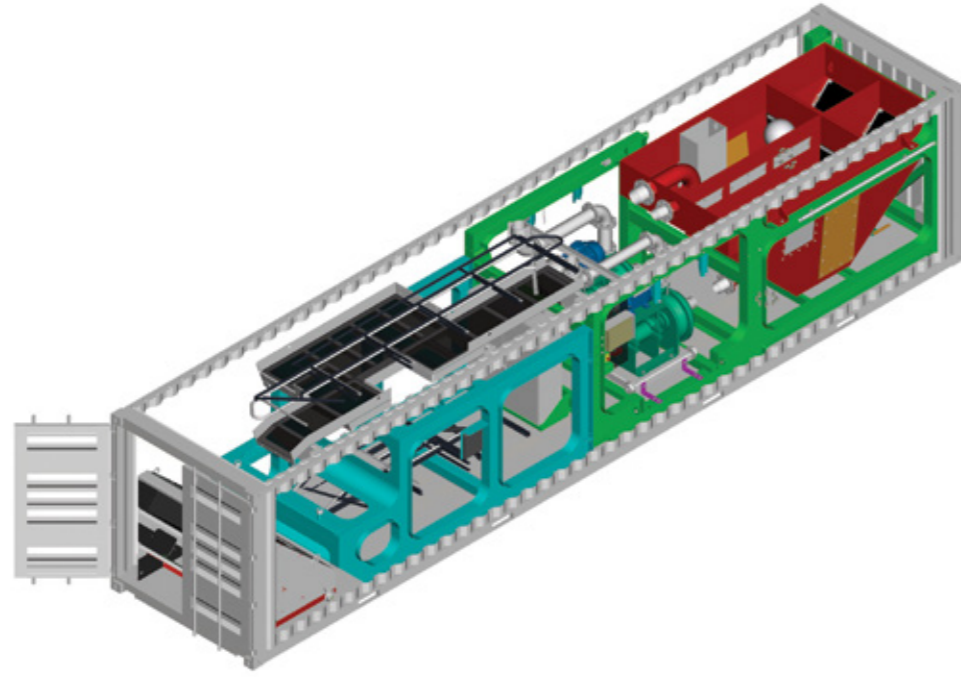


AGGRESAND™ 206 WORKING DIMENSIONS (WITH FEED SYSTEM)  
HIGH CAPACITY SAND PLANT



## TRANSPORT CONTAINERS

- Transports in 4-6 40' open top containers







Aggresand™ 165, Ireland



AggreSand™ 206 & AggreScrub™, Broom, UK



Aggregate Screen Fitted with Isolated Spraybars



Integral Aggregate Stockpiling Conveyors



3 Deck Aggregate Screen With Rolling Chute For Access



Radial Conveyors



Cutting Edge Control Panel



Centrifugal Pumps, Roll out for Service Access



# TEREX WASHING SYSTEMS CONTACT DETAILS

## Dungannon Site

200 Coalisland Road  
Dungannon  
Co. Tyrone  
Northern Ireland  
BT71 4DR

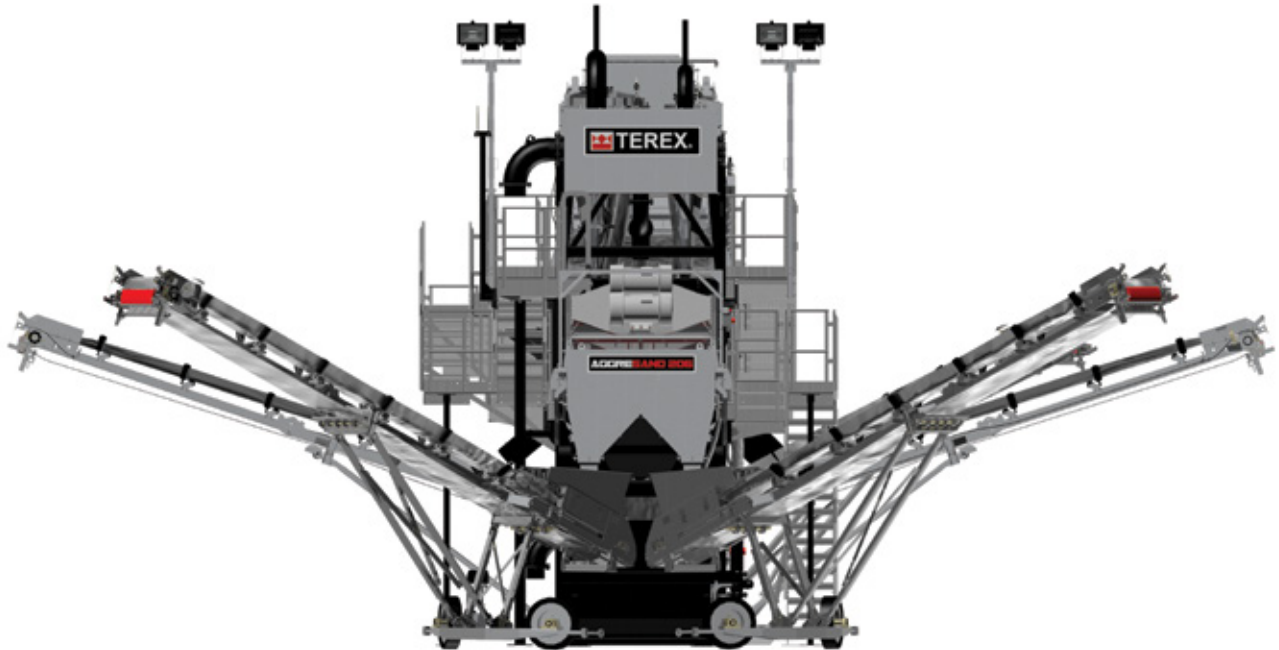
Tel: +44(0) 28 8771 8500

Email: [TWS.sales@terex.com](mailto:TWS.sales@terex.com)

[www.terex.com/washing](http://www.terex.com/washing)

Linked  YouTube

Check out Terex Washing Systems videos  
on YouTube: [www.youtube.com/terexwashingsystems](http://www.youtube.com/terexwashingsystems)



Effective Date: June 2016 Product specifications and prices are subject to change without notice or obligation. The photographs and/or drawings in this document are for illustrative purposes only. Refer to the appropriate Operator's Manual for instructions on the proper use of this equipment. Failure to follow the appropriate Operator's Manual when using our equipment or to otherwise act irresponsibly may result in serious injury or death. The only warranty applicable to our equipment is the standard written warranty applicable to the particular product and sale and Terex makes no other warranty, express or implied. Products and services listed may be trademarks, service marks, or trade names of Terex Corporation and/or its subsidiaries in the USA and other countries. All rights are reserved. Terex is a registered trademark of Terex Corporation in the USA and many other countries. © 2010 Terex Corporation.

 **TEREX**<sup>®</sup>  
**WASHING SYSTEMS**

**WASHING AS IT SHOULD BE**